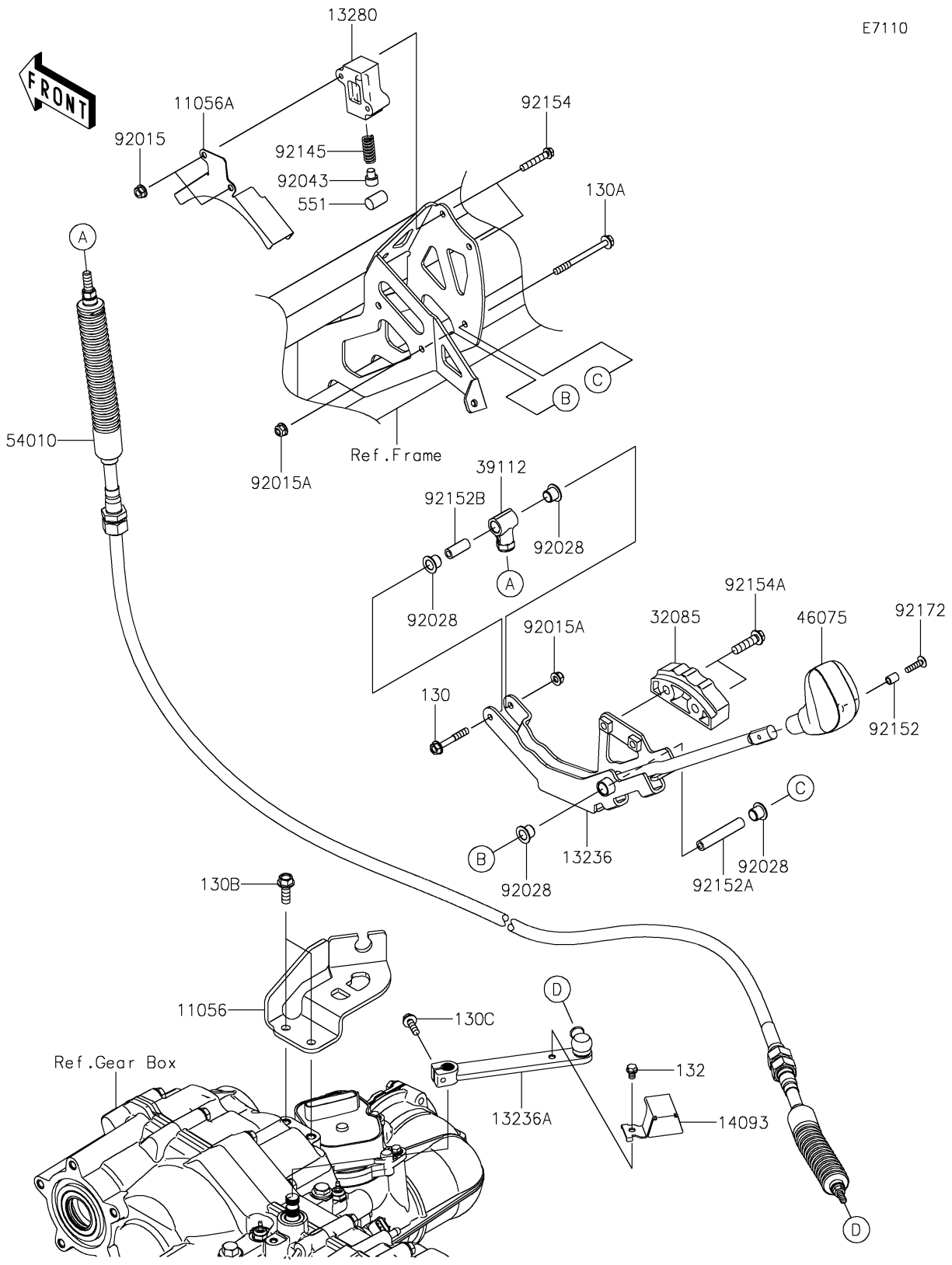


# 2020 NINJA® 650 ABS PARTS DIAGRAM

Control



E7110

# 2020 NINJA<sup>®</sup> 650 ABS PARTS LIST

Control

ITEM NAME	PART NUMBER	QUANTITY
-----------	-------------	----------