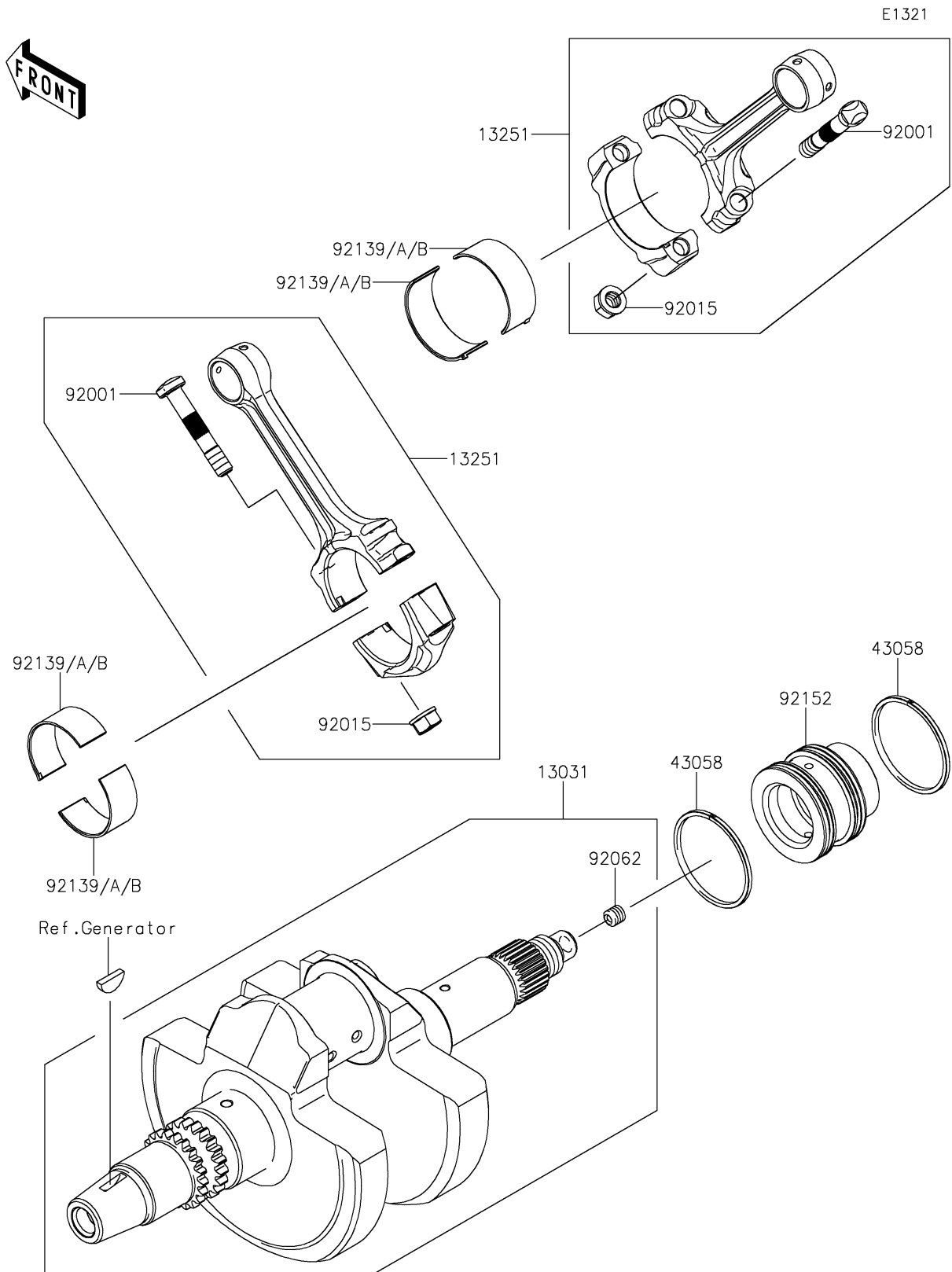


2024 Teryx4™ S LE PARTS DIAGRAM

Crankshaft



2024 Teryx4™ S LE PARTS LIST

Crankshaft

| ITEM NAME | PART NUMBER | QUANTITY |
|--|-------------|----------|
| CRANKSHAFT-COMP (Ref # 13031) | 13031-0983 | 1 |
| ROD-ASSY-CONNECTING (Ref # 13251) | 13251-0709 | 2 |
| RING (Ref # 43058) | 43058-0702 | 2 |
| BOLT,CONNECTING ROD (Ref # 92001) | 92001-1980 | 4 |
| NUT,FLANGED,8MM (Ref # 92015) | 92015-1311 | 4 |
| NOZZLE,8X8,SILVER (Ref # 92062) | 92062-1082 | 1 |
| BUSHING,CONNECTING ROD,GREEN (Ref # 92139) | 92139-0764 | AR |
| BUSHING,CONNECTING ROD,YELLOW (Ref # 92139A) | 92139-0765 | 4 |
| BUSHING,CONNECTING ROD,BROWN (Ref # 92139B) | 92139-0766 | AR |
| COLLAR,CRANK-CLUTCH (Ref # 92152) | 92152-0956 | 1 |