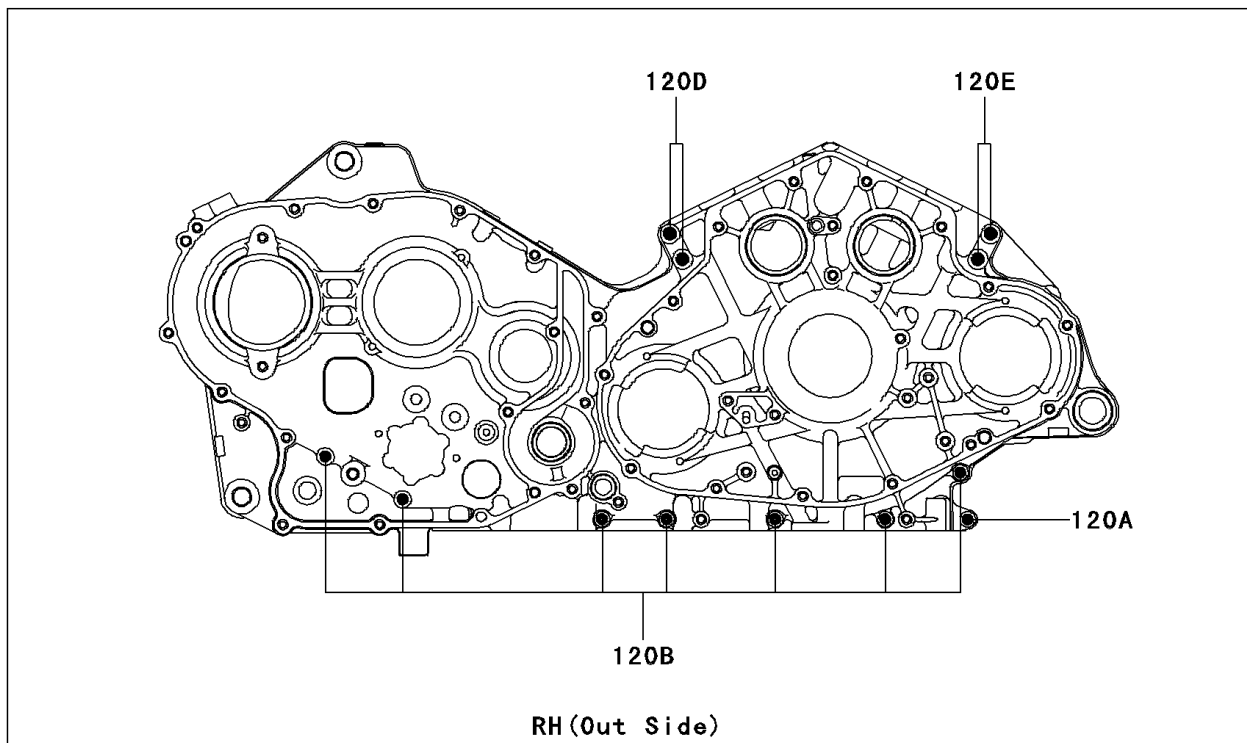
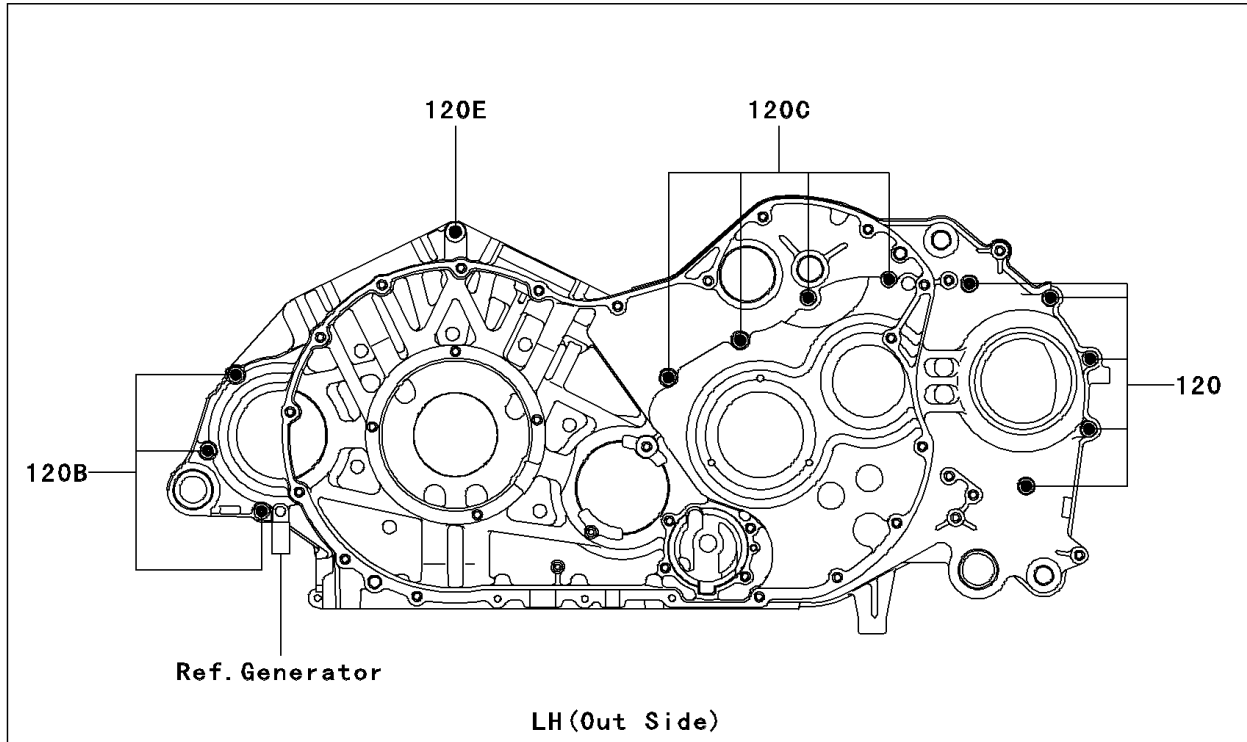


2007 Vulcan 2000 Classic LT PARTS DIAGRAM

Crankcase Bolt Pattern

E1412



2007 Vulcan 2000 Classic LT PARTS LIST

Crankcase Bolt Pattern

ITEM NAME	PART NUMBER	QUANTITY
BOLT-SOCKET,6X120 (Ref # 120)	120R06120	5
BOLT-SOCKET,6X30 (Ref # 120A)	120R0630	1
BOLT-SOCKET,6X75 (Ref # 120B)	120R0675	10
BOLT-SOCKET,6X95 (Ref # 120C)	120R0695	4
BOLT-SOCKET,8X85 (Ref # 120D)	120W0885	2
BOLT-SOCKET,8X95 (Ref # 120E)	120W0895	3