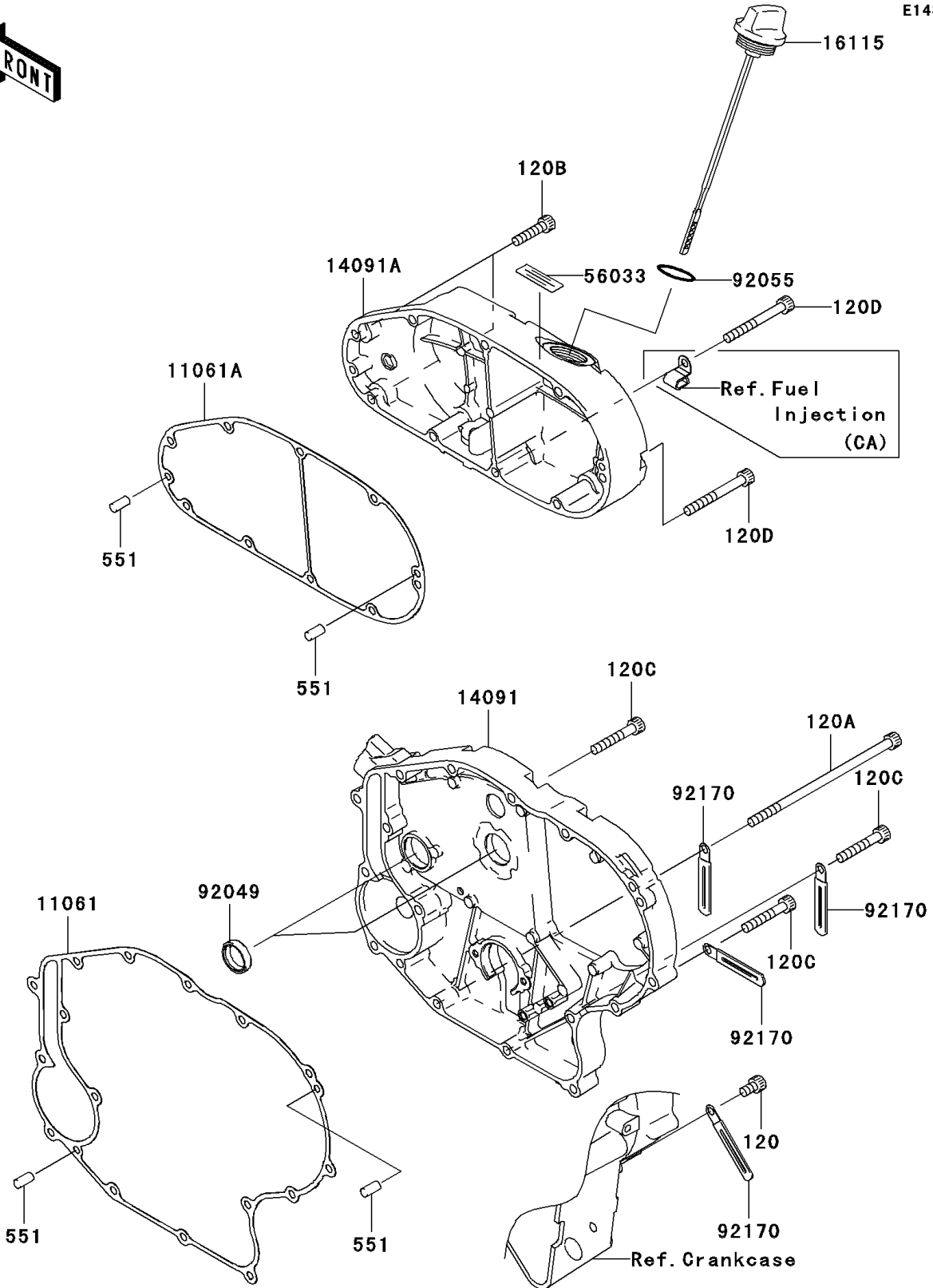


# 2007 Vulcan 2000 Classic LT PARTS DIAGRAM

Right Engine Cover(s)

E1436



## 2007 Vulcan 2000 Classic LT PARTS LIST

### Right Engine Cover(s)

ITEM NAME	PART NUMBER	QUANTITY
BOLT-SOCKET,6X10 (Ref # 120)	120R0610	1
BOLT-SOCKET,6X125 (Ref # 120A)	120R06125	1
BOLT-SOCKET,6X25 (Ref # 120B)	120R0625	2
BOLT-SOCKET,6X35 (Ref # 120C)	120R0635	15
BOLT-SOCKET,6X50 (Ref # 120D)	120R0650	7
PIN-DOWEL,6X12 (Ref # 551)	551A0612	4
GASKET,TRANSMISSION,INSIDE (Ref # 11061)	11061-0017	1
GASKET,TRANSMISSION,OUTSIDE (Ref # 11061A)	11061-0018	1
COVER,TRANSMISSION,INSIDE (Ref # 14091)	14091-0251	1
COVER,TRANSMISSION OUTSIDE (Ref # 14091A)	14091-0263	1
CAP-OIL FILLER (Ref # 16115)	16115-0010	1
LABEL-MANUAL,OIL CAPACITY (Ref # 56033)	56033-0050	1
SEAL-OIL,20X26X6 (Ref # 92049)	92049-0019	2
RING-O,31.7X2.4 (Ref # 92055)	92055-049	1
CLAMP (Ref # 92170)	92170-1514	4