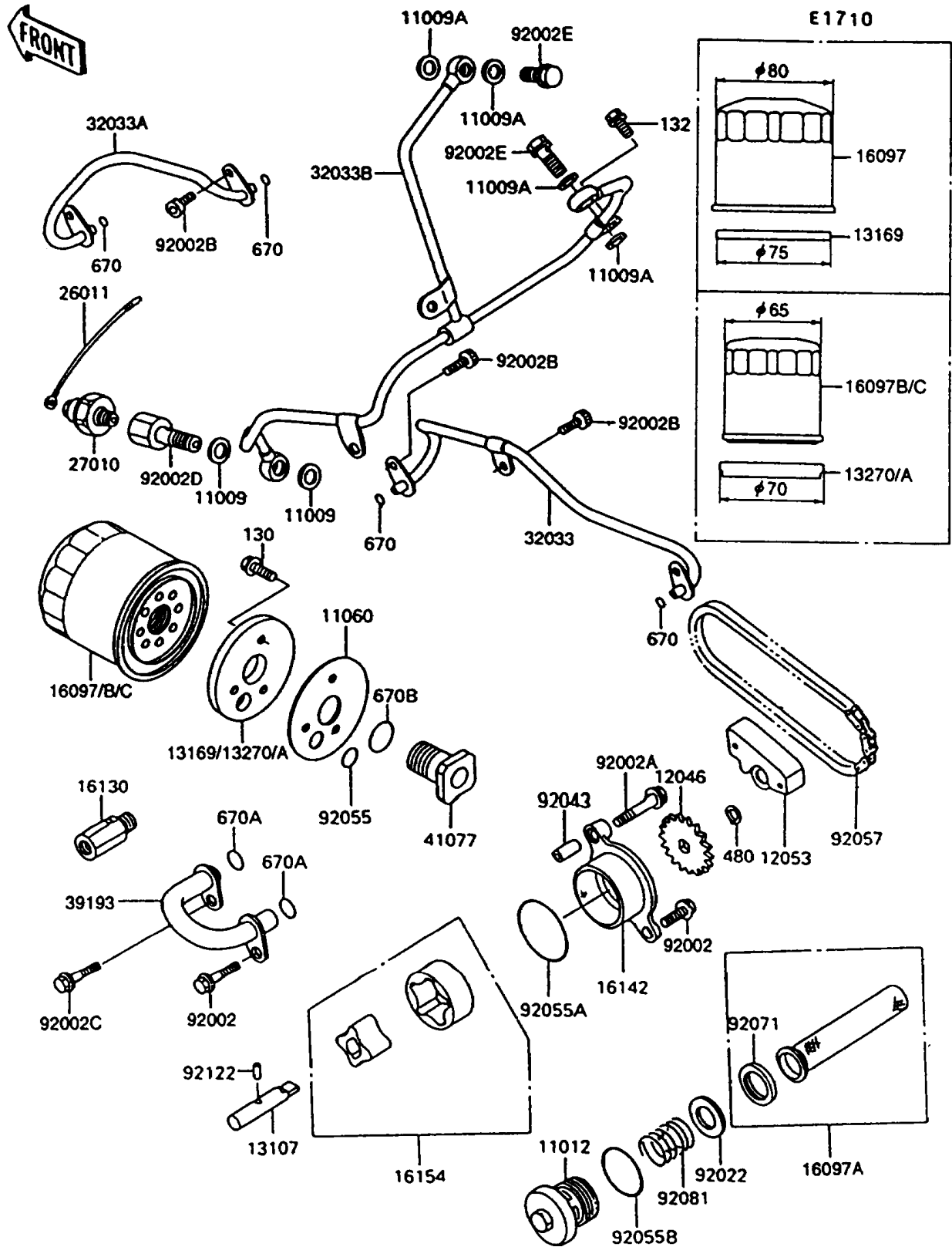


# 1996 Vulcan 750 PARTS DIAGRAM

Oil Pump/Oil Filter



# 1996 Vulcan 750 PARTS LIST

## Oil Pump/Oil Filter

ITEM NAME	PART NUMBER	QUANTITY
GASKET,10X14.5X1.5 (Ref # 11009)	11009-1105	2
GASKET,OIL PIPE,8.2X14X1.0 (Ref # 11009A)	11009-1344	4
CAP,OIL FILTER (Ref # 11012)	11012-1483	1
GASKET,OIL FILTER (Ref # 11060)	11060-1092	1
SPROCKET,OIL PUMP,19T (Ref # 12046)	12046-1079	1
GUIDE-CHAIN (Ref # 12053)	12053-1187	1
SHAFT,OIL PUMP (Ref # 13107)	13107-1131	1
PLATE,OIL FILTER (Ref # 13270)	13270-1170	1
FILTER-ASSY-OIL (Ref # 16097A)	16097-1058	1
FILTER-ASSY-OIL (Ref # 16097B)	16097-1064	1
VALVE-ASSY-RELIEF (Ref # 16130)	16130-1001	1
COVER-PUMP,OIL (Ref # 16142)	16142-1061	1
ROTOR-PUMP (Ref # 16154)	16154-1056	1
WIRE-LEAD (Ref # 26011)	26011-1295	1
SWITCH,OIL PRESSURE (Ref # 27010)	27010-1313	1
PIPE,OIL,FILTER-TRANSMISSION (Ref # 32033)	32033-1741	1
PIPE,OIL,FILTER-CRANKSHAFT (Ref # 32033A)	32033-1742	1
PIPE,FILTER-HEAD (Ref # 32033B)	32033-1863	1
PIPE-OIL,PUMP-FILTER (Ref # 39193)	39193-1021	1
ADAPTER,OIL FILTER (Ref # 41077)	41077-1052	1
BOLT,FLANGED,6X16 (Ref # 92002)	92002-1439	2
BOLT,6X30 (Ref # 92002A)	92002-1534	1
BOLT,SOCKET,6X14 (Ref # 92002B)	92002-1592	5
BOLT,6X25 (Ref # 92002C)	92002-1612	1
BOLT,OIL SWITCH (Ref # 92002D)	92002-1617	1
BOLT,BANJO,8X20 (Ref # 92002E)	92002-1618	2
WASHER,16.5X28X0.5 (Ref # 92022)	92022-169	1
PIN,6.2X8X14 (Ref # 92043)	92043-1263	1
RING-O,13X1.9 (Ref # 92055)	92055-1021	1

# 1996 Vulcan 750 PARTS LIST

## Oil Pump/Oil Filter

ITEM NAME	PART NUMBER	QUANTITY
RING-O,44.7X2.4 (Ref # 92055A)	92055-1279	1
RING-O,35.2X2.4 (Ref # 92055B)	92055-1358	1
CHAIN,PUMP,BS25HX50L (Ref # 92057)	92057-1183	1
BOLT-FLANGED (Ref # 130)	130P0514	3
BOLT-FLANGED-SMALL (Ref # 132)	132E0612	1
CIRCLIP-TYPE-C,11MM (Ref # 480)	480J1100	1
O RING,6MM (Ref # 670)	670D1506	4
O RING,12MM (Ref # 670A)	670D2012	2
O RING,20MM (Ref # 670B)	670D2020	1
GROMMET,OIL STRAINER (Ref # 92071)	92071-100	1
SPRING,OIL FILTER (Ref # 92081)	92081-1862	1
ROLLER,3X15.8 (Ref # 92122)	92122-1126	1