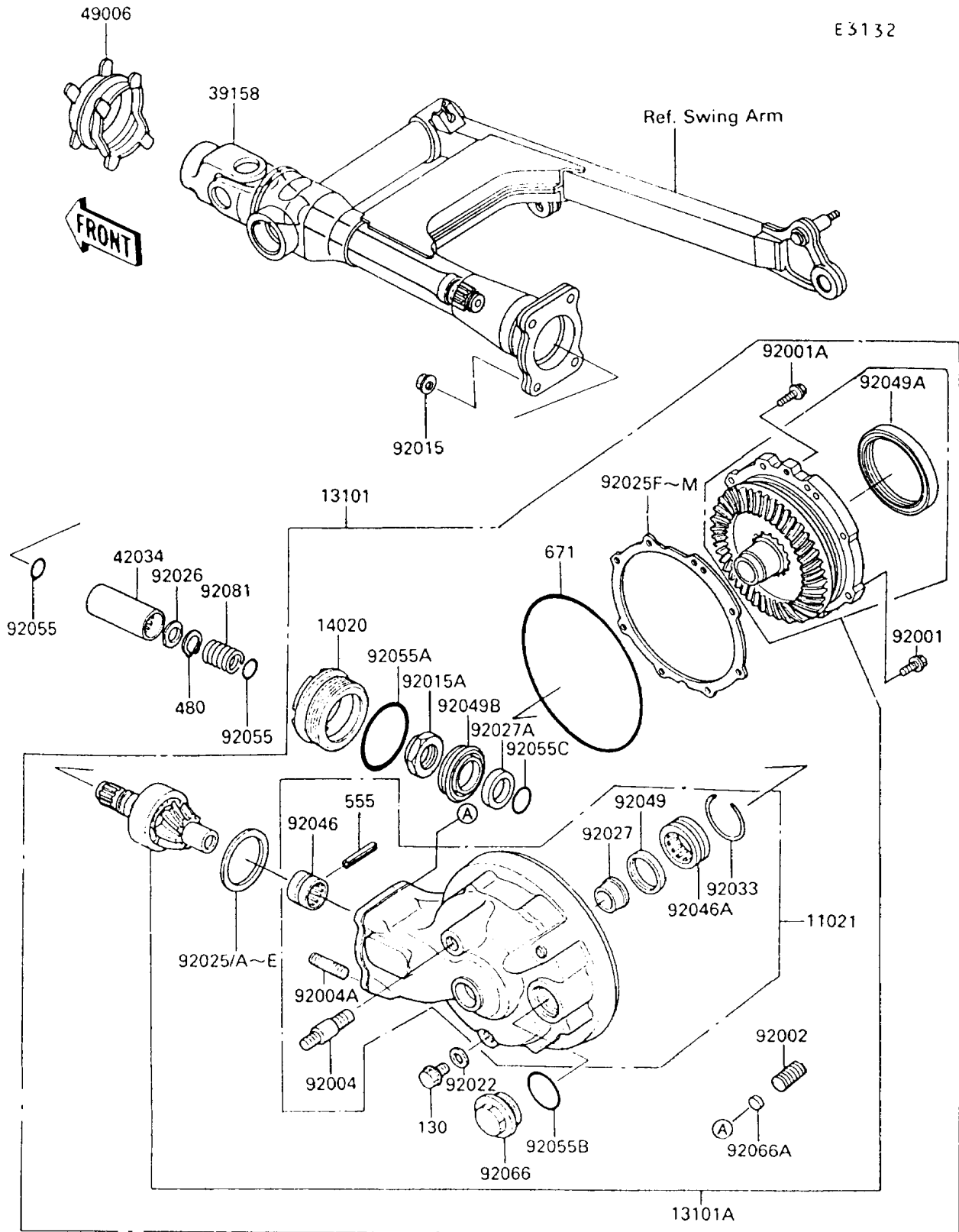


# 1995 Vulcan 750 PARTS DIAGRAM

Drive Shaft/Final Gear

E 31 32



# 1995 Vulcan 750 PARTS LIST

## Drive Shaft/Final Gear

| ITEM NAME                                   | PART NUMBER   | QUANTITY |
|---|---------------|----------|
| CASE-ASSY,FINAL GEAR,M.SILVER (Ref # 11021) | 11021-1066-7J | 1        |
| GEAR-ASSY,FINAL,M.SILVER (Ref # 13101)      | 13101-1124-7J | 1        |
| GEAR-ASSY,FINAL BEVEL (Ref # 13101A)        | 13101-5056    | 1        |
| RETAINER (Ref # 14020)                      | 14020-1055    | 1        |
| SHAFT-ASSY-DRIVE (Ref # 39158)              | 39158-1052    | 1        |
| COUPLING,DRIVE SHAFT,OUTER (Ref # 42034)    | 42034-1035    | 1        |
| BOOT,PROPELLER SHAFT (Ref # 49006)          | 49006-1173    | 1        |
| BOLT,FLANGED,8X28 (Ref # 92001)             | 92001-1095    | 6        |
| BOLT,FLANGED,10X23 (Ref # 92001A)           | 92001-1778    | 2        |
| SCREW-SET-SOCKET,8X18 (Ref # 92002)         | 92002-1836    | 1        |
| STUD,RR SHOCKABSORBER (Ref # 92004)         | 92004-1047    | 1        |
| STUD,8X20 (Ref # 92004A)                    | 92004-1159    | 4        |
| NUT,FLANGED,8MM,BLACK (Ref # 92015)         | 92015-1183    | 4        |
| NUT,25MM (Ref # 92015A)                     | 92015-1241    | 1        |
| WASHER,8.2X16X1 (Ref # 92022)               | 92022-1086    | 1        |
| SHIM,50X61X0.10 (Ref # 92025)               | 92025-1519    | AR       |
| SHIM,50X61X0.15 (Ref # 92025A)              | 92025-1520    | AR       |
| SHIM,50X61X0.20 (Ref # 92025B)              | 92025-1521    | AR       |
| SHIM,50X61X0.30 (Ref # 92025C)              | 92025-1522    | AR       |
| SHIM,50X61X0.40 (Ref # 92025D)              | 92025-1523    | AR       |
| SHIM,50X61X0.50 (Ref # 92025E)              | 92025-1524    | AR       |
| SHIM,T=0.15 (Ref # 92025F)                  | 92025-1525    | AR       |
| SHIM,T=0.50 (Ref # 92025G)                  | 92025-1526    | AR       |
| SHIM,T=0.60 (Ref # 92025H)                  | 92025-1527    | AR       |
| SHIM,T=0.70 (Ref # 92025I)                  | 92025-1528    | AR       |
| SHIM,T=0.80 (Ref # 92025J)                  | 92025-1529    | AR       |
| SHIM,T=0.90 (Ref # 92025K)                  | 92025-1530    | AR       |
| SHIM,T=1.00 (Ref # 92025L)                  | 92025-1531    | AR       |
| SHIM,T=1.20 (Ref # 92025M)                  | 92025-1532    | AR       |

# 1995 Vulcan 750 PARTS LIST

## Drive Shaft/Final Gear

| ITEM NAME                                  | PART NUMBER   | QUANTITY |
|--|---------------|----------|
| SPACER,DRIVE SHAFT (Ref # 92026)           | 92026-1129    | 1        |
| COLLAR (Ref # 92027)                       | 92027-1412    | 1        |
| COLLAR,25X35X11 (Ref # 92027A)             | 92027-1972    | 1        |
| RING-SNAP,50.4MM (Ref # 92033)             | 92033-1187    | 1        |
| BEARING-NEEDLE,NK22/20R (Ref # 92046)      | 92046-1131    | 1        |
| BEARING-NEEDLE,NK35/20R (Ref # 92046A)     | 92046-1132    | 1        |
| SEAL-OIL,S3141 5.5 (Ref # 92049)           | 92049-1210    | 1        |
| SEAL-OIL,S75 9510 (Ref # 92049A)           | 92049-1212    | 1        |
| SEAL-OIL (Ref # 92049B)                    | 92049-1234    | 1        |
| RING-O,ID=18.64 (Ref # 92055)              | 92055-1044    | 2        |
| BOLT-FLANGED (Ref # 130)                   | 130X0812      | 1        |
| CIRCLIP-TYPE-C,16MM (Ref # 480)            | 480J1600      | 1        |
| PIN-SPRING (Ref # 555)                     | 555A0428      | 1        |
| O RING (Ref # 671)                         | 671B25145     | 1        |
| RING-O,61.6MM (Ref # 92055A)               | 92055-1280    | 1        |
| RING-O,35.8MM (Ref # 92055B)               | 92055-1281    | 1        |
| RING-O,19.8X1.9 (Ref # 92055C)             | 92055-1332    | 1        |
| PLUG,OIL FILLER CAP,M.SILVER (Ref # 92066) | 92066-1006-7J | 1        |
| PLUG,6.2X3 (Ref # 92066A)                  | 92066-1272    | 1        |
| SPRING,DRIVE SHAFT (Ref # 92081)           | 92081-1717    | 1        |