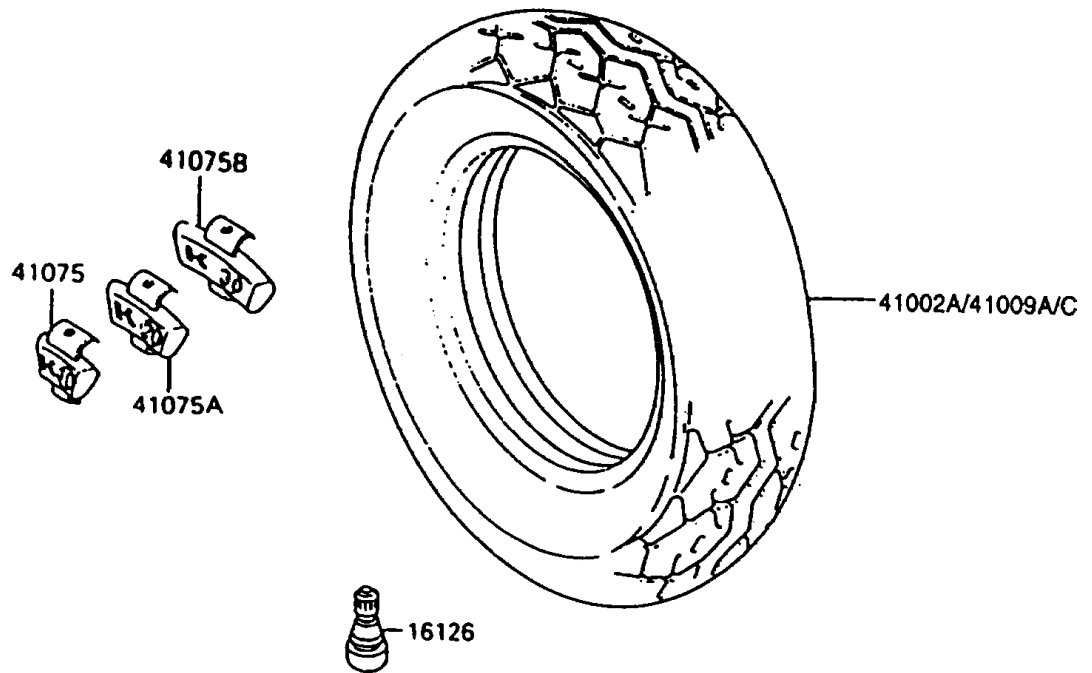
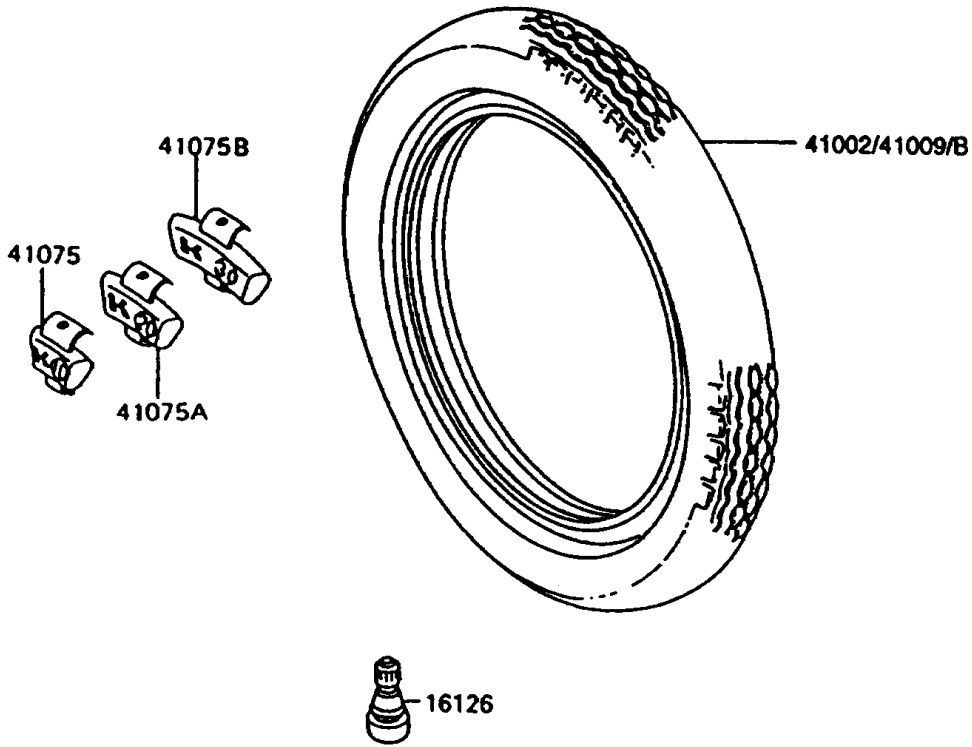


1996 Vulcan 750 PARTS DIAGRAM

Tires

F2210



1996 Vulcan 750 PARTS LIST

Tires

| ITEM NAME | PART NUMBER | QUANTITY |
|---|-------------|----------|
| VALVE,TIRE (Ref # 16126) | 16126-1140 | 2 |
| TIRE,FR,100/90-19 57H,F11A(D) (Ref # 41009) | 41009-1059 | 1 |
| TIRE,RR,150/90-15 74H,K425(D) (Ref # 41009A) | 41009-1060 | 1 |
| TIRE,FR,100/90-19 57H,L309(BS) (Ref # 41009B) | 41009-1100 | 1 |
| TIRE,RR,150/90-15 74H,G526(BS) (Ref # 41009C) | 41009-1101 | 1 |
| BALANCER-WHEEL,10G,SILVER (Ref # 41075) | 41075-1014 | AR |
| BALANCER-WHEEL,20G,SILVER (Ref # 41075A) | 41075-1015 | AR |
| BALANCER-WHEEL,30G,SILVER (Ref # 41075B) | 41075-1016 | AR |