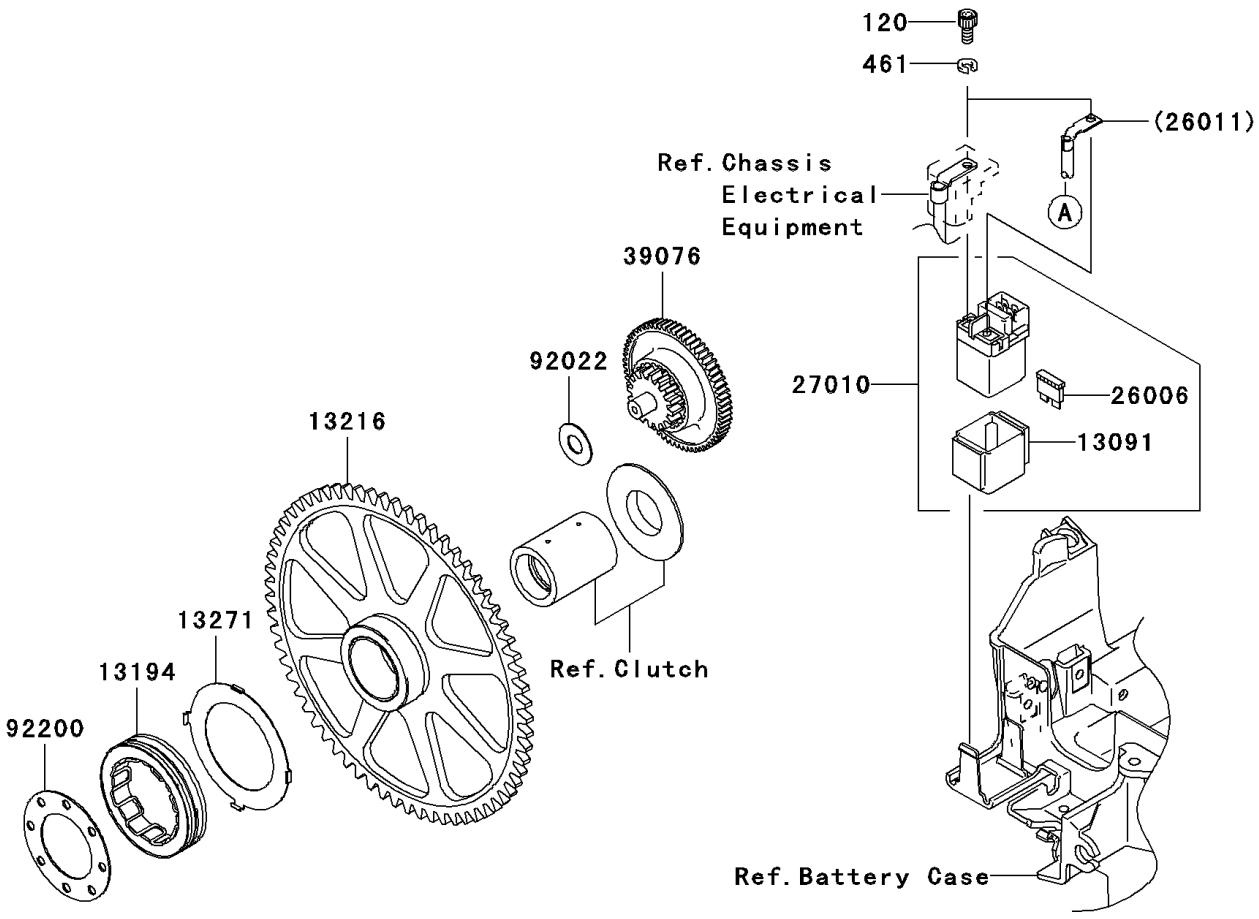
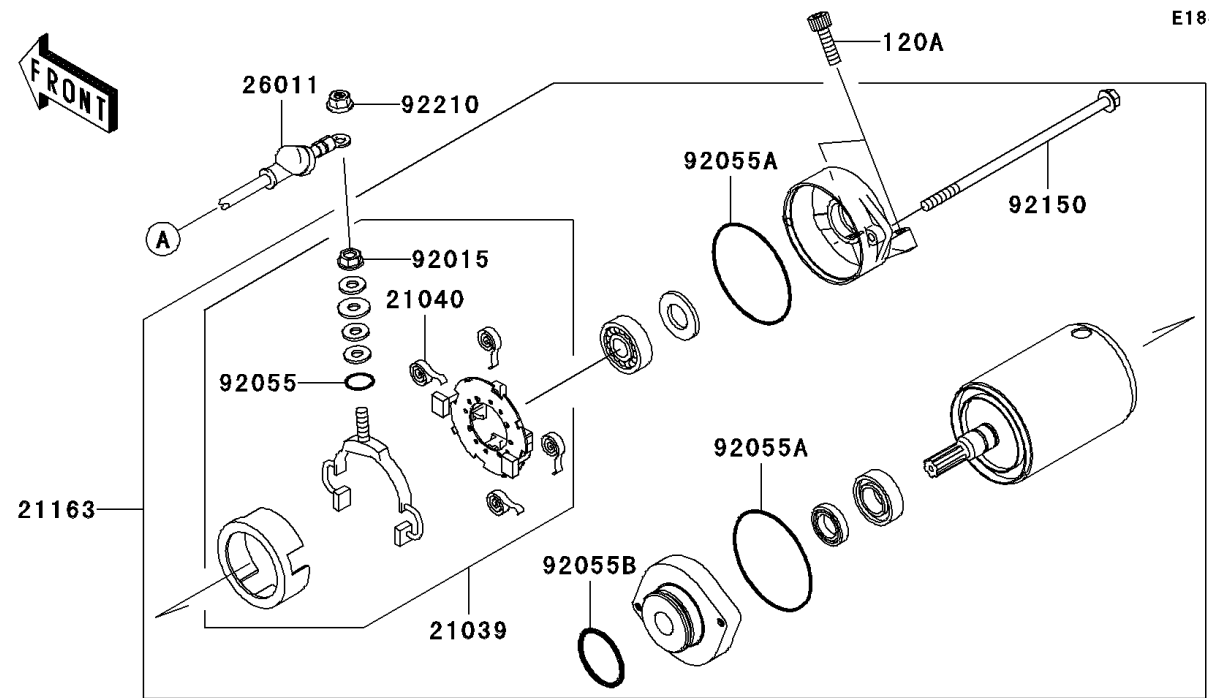


2008 Vulcan® 2000 Classic PARTS DIAGRAM

Starter Motor

E1840



2008 Vulcan® 2000 Classic PARTS LIST

Starter Motor

| ITEM NAME | PART NUMBER | QUANTITY |
|---|-------------|----------|
| BOLT-SOCKET,5X10 (Ref # 120) | 120CB0510 | 2 |
| BOLT-SOCKET,6X22 (Ref # 120A) | 120R0622 | 2 |
| WASHER-SPRING,5MM,BLACK (Ref # 461) | 461DB0500 | 2 |
| HOLDER,MAGNETIC SWITCH (Ref # 13091) | 13091-1884 | 1 |
| CLUTCH-ONEWAY (Ref # 13194) | 13194-0001 | 1 |
| GEAR-COMP (Ref # 13216) | 13216-0010 | 1 |
| PLATE (Ref # 13271) | 13271-0037 | 1 |
| BRUSH,CARBON (Ref # 21039) | 21039-1060 | 1 |
| SPRING-BRUSH (Ref # 21040) | 21040-1055 | 4 |
| STARTER-ELECTRIC (Ref # 21163) | 21163-0001 | 1 |
| FUSE,30A-G (Ref # 26006) | 26006-1006 | 1 |
| WIRE-LEAD,STARTER MOTOR (Ref # 26011) | 26011-0044 | 1 |
| SWITCH,MAGNETIC (Ref # 27010) | 27010-1327 | 1 |
| LIMITER,STARTER IDLE GEAR (Ref # 39076) | 39076-0001 | 1 |
| NUT,STARTER MOTOR (Ref # 92015) | 92015-1476 | 1 |
| WASHER,12X27.5X1.0 (Ref # 92022) | 92022-1852 | 1 |
| RING-O,4.5X2.0 (Ref # 92055) | 92055-1370 | 1 |
| RING-O,STARTER MOTOR (Ref # 92055A) | 92055-1381 | 2 |
| RING-O,37MM (Ref # 92055B) | 92055-1393 | 1 |
| BOLT,STARTER MOTOR (Ref # 92150) | 92150-1913 | 2 |
| WASHER,44X73.5X1.2 (Ref # 92200) | 92200-0019 | 1 |
| NUT,6MM (Ref # 92210) | 92210-0188 | 1 |