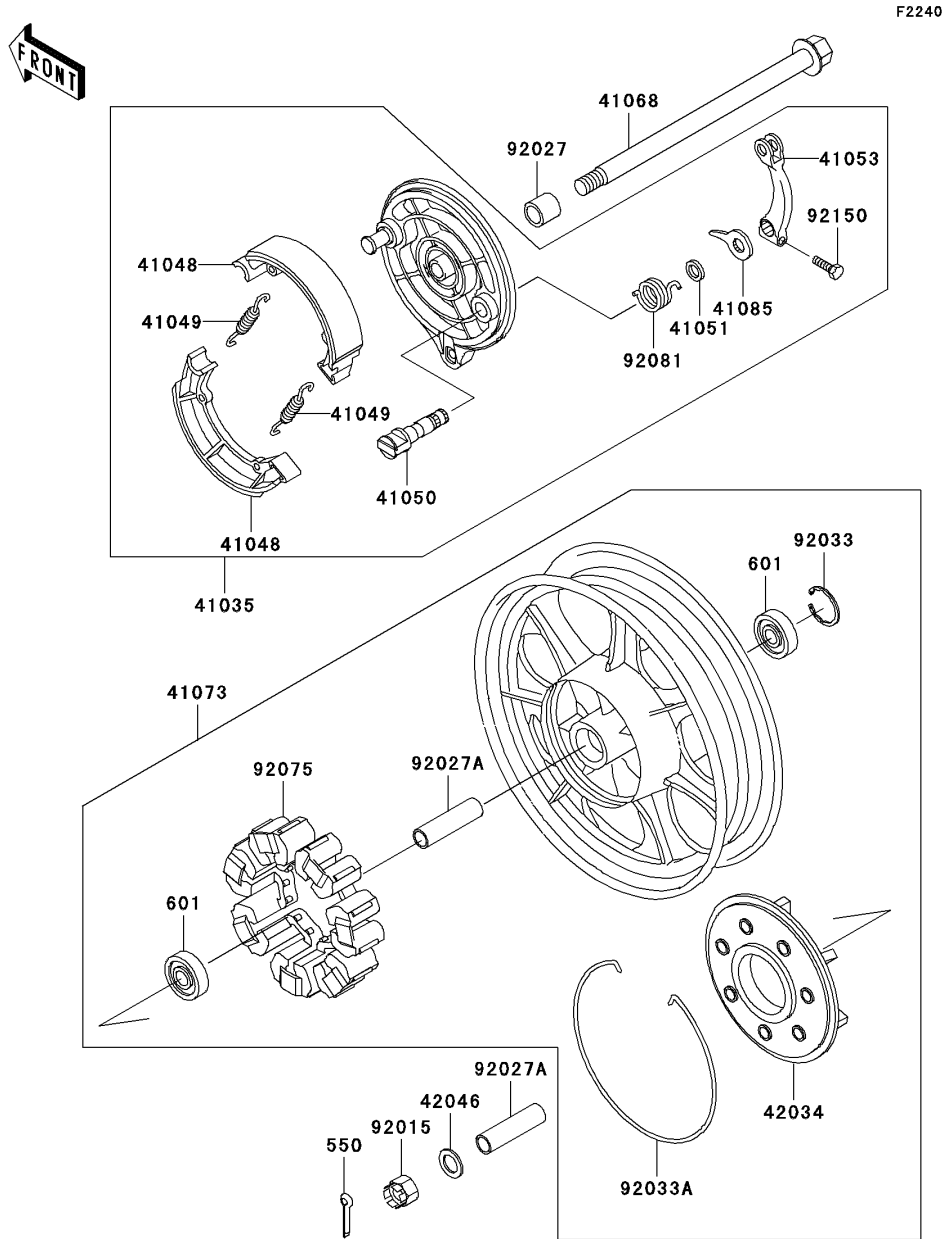


# 2000 Vulcan 750 PARTS DIAGRAM

Rear Wheel/Chain



## 2000 Vulcan 750 PARTS LIST

### Rear Wheel/Chain

| ITEM NAME                                   | PART NUMBER   | QUANTITY |
|---|---------------|----------|
| PIN-COTTER,4.0X35 (Ref # 550)               | 550D4035      | 1        |
| BEARING-BALL,#6303UUC3 (Ref # 601)          | 601B6303UU    | 2        |
| PANEL-ASSY-BRAKE,RR (Ref # 41035)           | 41035-1288    | 1        |
| SHOE-BRAKE (Ref # 41048)                    | 41048-1070    | 2        |
| SPRING,BRAKE SHOE (Ref # 41049)             | 41049-012     | 2        |
| CAM-BRAKE (Ref # 41050)                     | 41050-1059    | 1        |
| SEAL,BRAKE CAM (Ref # 41051)                | 41051-003     | 1        |
| LEVER-BRAKE CAM (Ref # 41053)               | 41053-1063    | 1        |
| AXLE,RR (Ref # 41068)                       | 41068-1191    | 1        |
| WHEEL-ASSY,RR,SILVER NO.1 (Ref # 41073)     | 41073-1590-CX | 1        |
| INDICATOR (Ref # 41085)                     | 41085-1054    | 1        |
| COUPLING,RR HUB (Ref # 42034)               | 42034-1029    | 1        |
| WASHER,17.3X32X3.2 (Ref # 42046)            | 42046-009     | 1        |
| NUT,CASTLE,16MM (Ref # 92015)               | 92015-1951    | 1        |
| COLLAR (Ref # 92027)                        | 92027-1486    | 1        |
| COLLAR,17.2X25X74 (Ref # 92027A)            | 92027-1867    | 2        |
| RING-SNAP,47MM (Ref # 92033)                | 92033-1042    | 1        |
| RING-SNAP,194MM (Ref # 92033A)              | 92033-1075    | 1        |
| DAMPER,RR HUB SHOCK (Ref # 92075)           | 92075-1372    | 1        |
| SPRING,BRAKE CAM LEVER RETURN (Ref # 92081) | 92081-1816    | 1        |
| BOLT,8X27 (Ref # 92150)                     | 92150-1797    | 1        |