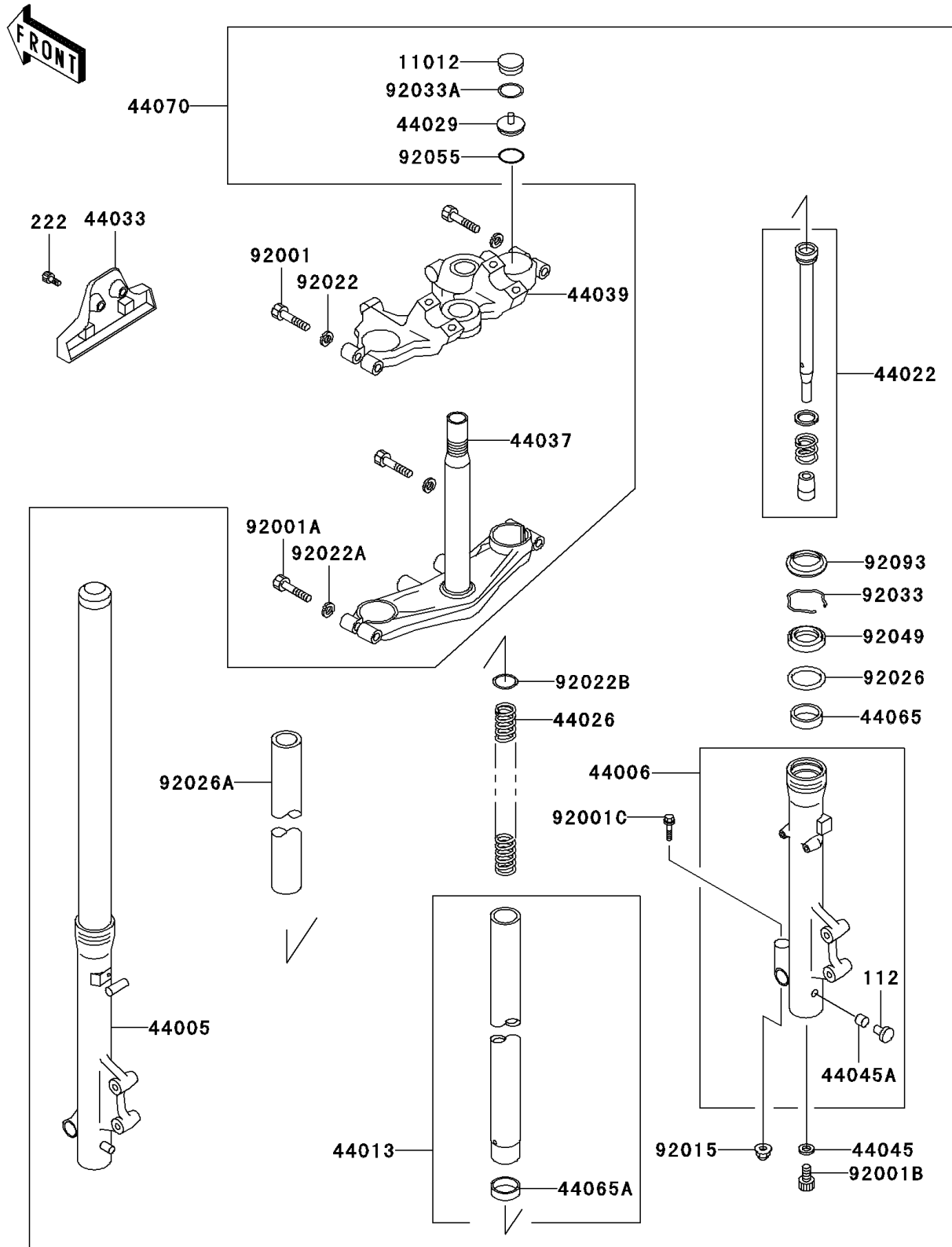


# 2000 Vulcan 750 PARTS DIAGRAM

Front Fork

F2340



## 2000 Vulcan 750 PARTS LIST

### Front Fork

ITEM NAME	PART NUMBER	QUANTITY
BOLT-UPSET (Ref # 112)	112B0608	2
SCREW-CSK-RD-CROS (Ref # 222)	222C0520	2
CAP,FORK TOP (Ref # 11012)	11012-1696	2
PIPE-LEFT FORK OUTER (Ref # 44005)	44005-1231	1
PIPE-RIGHT FORK OUTER (Ref # 44006)	44006-1231	1
PIPE-FORK INNER (Ref # 44013)	44013-1230	2
CYLINDER-FORK (Ref # 44022)	44022-1180	2
SPRING-FRONT FORK,K=0.5 (Ref # 44026)	44026-1301	2
SEAT-FORK SPRING (Ref # 44029)	44029-1135	2
COVER-FORK (Ref # 44033)	44033-1166	1
HOLDER-FORK UNDER (Ref # 44037)	44037-1175	1
HOLDER-FORK UPPER (Ref # 44039)	44039-1117	1
GASKET,FORK CYLINDER BOLT (Ref # 44045)	44045-051	2
GASKET,DRAIN PLUG (Ref # 44045A)	44045-052	2
BUSHING-FRONT FORK (Ref # 44065)	44065-1070	2
BUSHING-FRONT FORK,INNER PIPE (Ref # 44065A)	44065-1071	2
DAMPER-ASSY,FORK (Ref # 44070)	44070-5032	1
BOLT,8X40 (Ref # 92001)	92001-1063	2
BOLT,10X40 (Ref # 92001A)	92001-1454	2
BOLT,FORK CYLINDER (Ref # 92001B)	92001-1464	2
BOLT,FLANGED,8X50 (Ref # 92001C)	92001-1486	1
NUT,FLANGED,8MM (Ref # 92015)	92015-1055	1
WASHER,SPRING,8MM (Ref # 92022)	92022-1703	2
WASHER,SPRING,10MM (Ref # 92022A)	92022-1704	2
WASHER,SPRING SEAT (Ref # 92022B)	92022-1713	2
SPACER,FORK (Ref # 92026)	92026-1254	2
SPACER,FRONT FORK SPRING (Ref # 92026A)	92026-1255	2
RING-SNAP,FORK (Ref # 92033)	92033-1200	2
RING-SNAP (Ref # 92033A)	92033-1201	2

## 2000 Vulcan 750 PARTS LIST

### Front Fork

ITEM NAME	PART NUMBER	QUANTITY
SEAL-OIL,FORK (Ref # 92049)	92049-1230	2
RING-O,FORK SPRING SEAT (Ref # 92055)	92055-1309	2
SEAL,FORK (Ref # 92093)	92093-1197	2