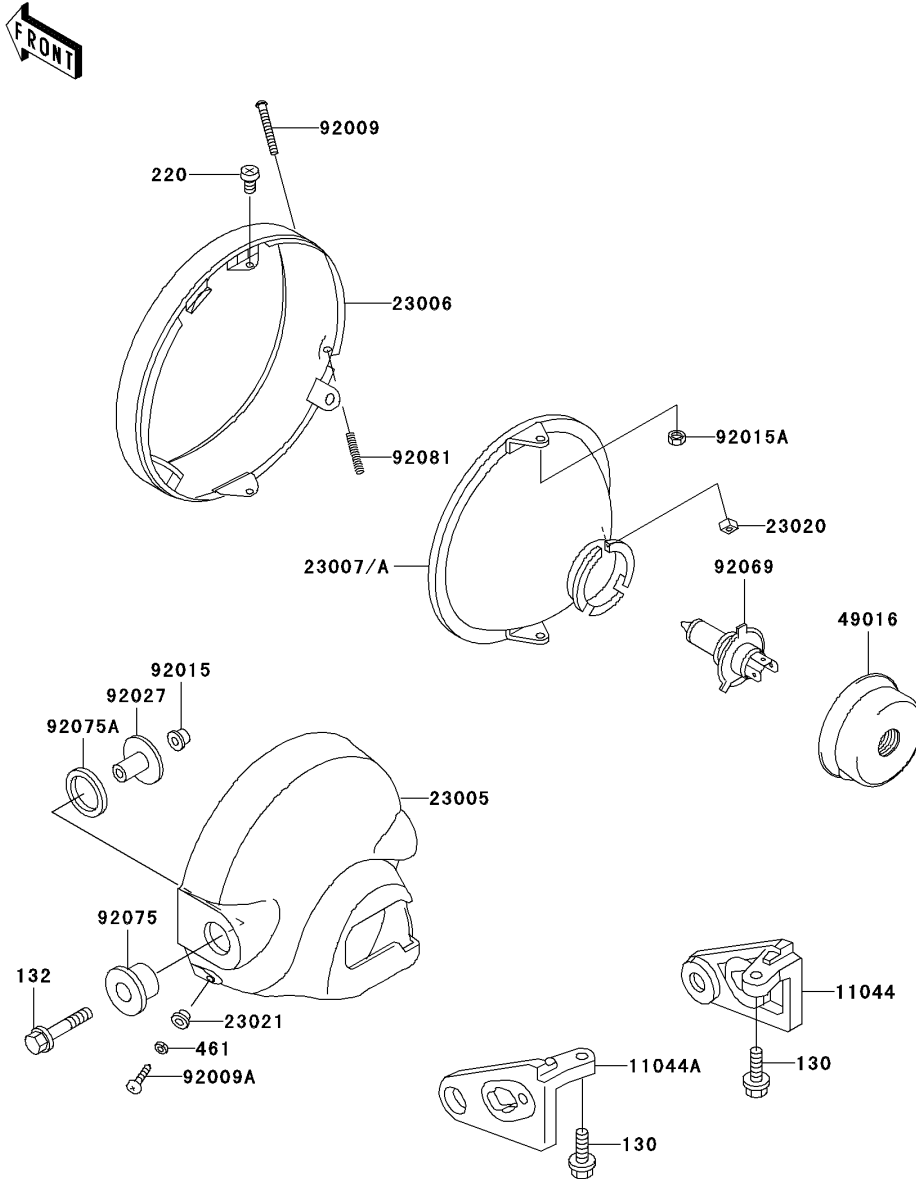


1999 Vulcan 750 PARTS DIAGRAM

Headlight(s)

F2710



1999 Vulcan 750 PARTS LIST

Headlight(s)

ITEM NAME	PART NUMBER	QUANTITY
BOLT-FLANGED (Ref # 130)	130N0825	2
BOLT-FLANGED-SMALL (Ref # 132)	132E0840	2
SCREW-PAN-CROS (Ref # 220)	220D0510	2
WASHER-SPRING,5MM (Ref # 461)	461F0500	2
BRACKET,HEAD LAMP,RH (Ref # 11044)	11044-1471	1
BRACKET,HEAD LAMP,LH (Ref # 11044A)	11044-1472	1
BODY-COMP-HEAD LAMP,CR PLATED (Ref # 23005)	23005-1058	1
RIM-LAMP (Ref # 23006)	23006-1055	1
LENS-COMP,HEAD LAMP (Ref # 23007)	23007-1304	1
NUT,4MM,FOCUS ADJUST (Ref # 23020)	23020-018	1
WASHER (Ref # 23021)	23021-010	2
COVER-SEAL,HEAD LAMP (Ref # 49016)	49016-1046	1
SCREW,4X52 (Ref # 92009)	92009-1033	1
SCREW,5MM (Ref # 92009A)	92009-1947	2
NUT,FLANGED,8MM (Ref # 92015)	92015-1014	2
NUT,5MM (Ref # 92015A)	92015-1157	2
COLLAR,L=20 (Ref # 92027)	92027-1131	2
BULB,12V 60/55W,H4 (Ref # 92069)	92069-1002	1
DAMPER,HEAD LAMP FITTING (Ref # 92075)	92075-1109	2
DAMPER,HEAD LAMP FITTING (Ref # 92075A)	92075-1110	2
SPRING,FOCUS ADJUSTING (Ref # 92081)	92081-1701	1