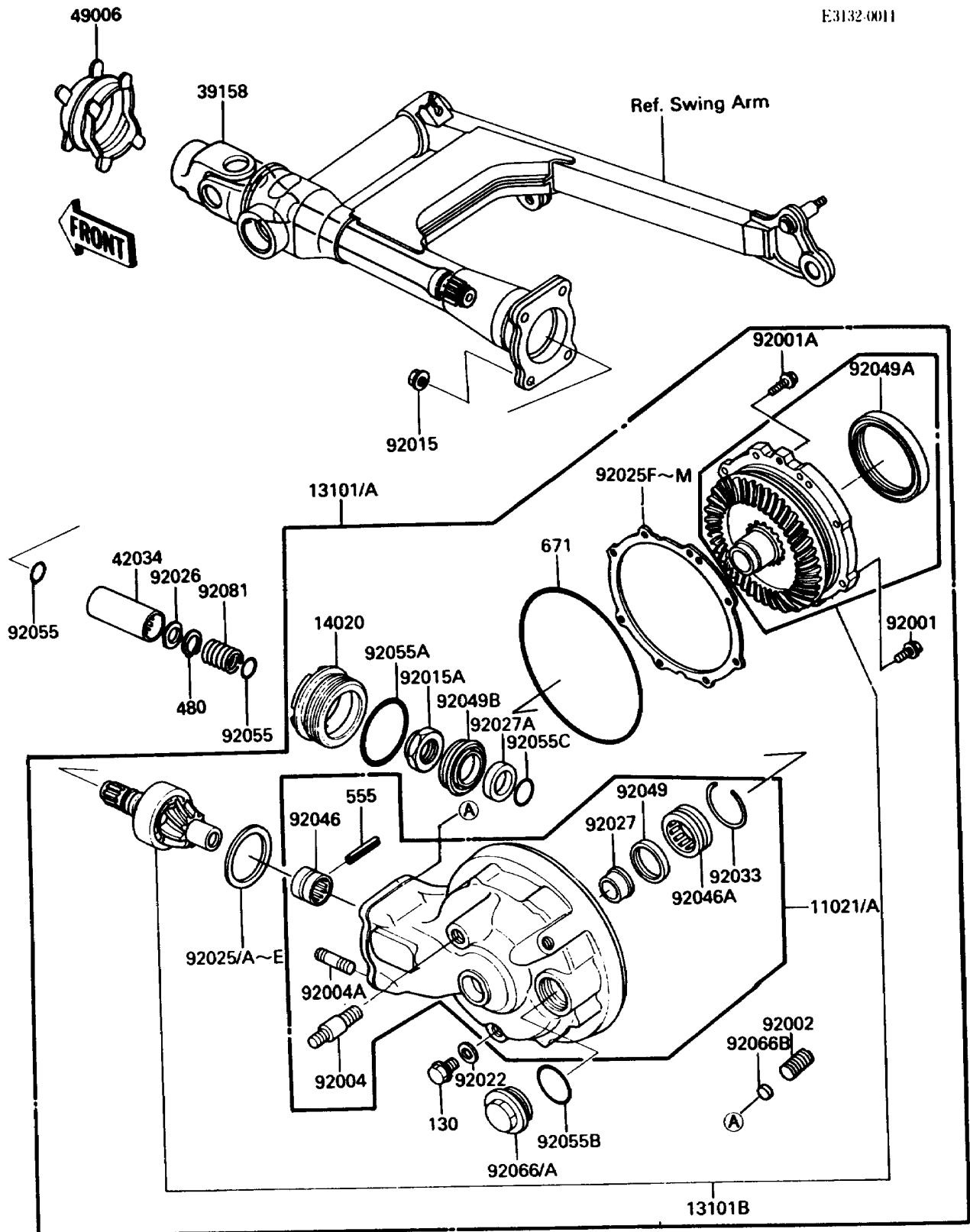


# 1988 Vulcan 750 PARTS DIAGRAM

Drive Shaft/Final Gear

E3132-0011



# 1988 Vulcan 750 PARTS LIST

## Drive Shaft/Final Gear

ITEM NAME	PART NUMBER	QUANTITY
CASE-ASSY,FINAL GEAR,M.SILVER (Ref # 11021A)	11021-1066-7J	1
GEAR-ASSY,FINAL,M.SILVER (Ref # 13101A)	13101-1124-7J	1
GEAR-ASSY,FINAL BEVEL (Ref # 13101B)	13101-5056	1
RETAINER (Ref # 14020)	14020-1055	1
SHAFT-ASSY-DRIVE (Ref # 39158)	39158-1052	1
COUPLING,DRIVE SHAFT,OUTER (Ref # 42034)	42034-1035	1
BOOT,PROPELLER SHAFT (Ref # 49006)	49006-1173	1
BOLT,FLANGED,8X28 (Ref # 92001)	92001-1095	6
BOLT,FLANGED,10X24 (Ref # 92001A)	92001-1110	2
SCREW-SET-SOCKET,8X18 (Ref # 92002)	92002-1836	1
STUD,RR SHOCKABSORBER (Ref # 92004)	92004-1047	1
STUD,8X20 (Ref # 92004A)	92004-1159	4
NUT,FLANGED,8MM,BLACK (Ref # 92015)	92015-1183	4
NUT,25MM (Ref # 92015A)	92015-1241	1
WASHER,8.2X16X1 (Ref # 92022)	92022-1086	1
SHIM,50X61X0.10 (Ref # 92025)	92025-1519	AR
SHIM,50X61X0.15 (Ref # 92025A)	92025-1520	AR
SHIM,50X61X0.20 (Ref # 92025B)	92025-1521	AR
SHIM,50X61X0.30 (Ref # 92025C)	92025-1522	AR
SHIM,50X61X0.40 (Ref # 92025D)	92025-1523	AR
SHIM,50X61X0.50 (Ref # 92025E)	92025-1524	AR
SHIM,T=0.15 (Ref # 92025F)	92025-1525	AR
SHIM,T=0.50 (Ref # 92025G)	92025-1526	AR
SHIM,T=0.60 (Ref # 92025H)	92025-1527	AR
SHIM,T=0.70 (Ref # 92025I)	92025-1528	AR
SHIM,T=0.80 (Ref # 92025J)	92025-1529	AR
SHIM,T=0.90 (Ref # 92025K)	92025-1530	AR
SHIM,T=1.00 (Ref # 92025L)	92025-1531	AR
SHIM,T=1.20 (Ref # 92025M)	92025-1532	AR

# 1988 Vulcan 750 PARTS LIST

## Drive Shaft/Final Gear

ITEM NAME	PART NUMBER	QUANTITY
SPACER,DRIVE SHAFT (Ref # 92026)	92026-1129	1
COLLAR (Ref # 92027)	92027-1412	1
COLLAR,25X35X11 (Ref # 92027A)	92027-1972	1
RING-SNAP,50.4MM (Ref # 92033)	92033-1187	1
BEARING-NEEDLE,NK22/20R (Ref # 92046)	92046-1131	1
BEARING-NEEDLE,NK35/20R (Ref # 92046A)	92046-1132	1
SEAL-OIL,S3141 5.5 (Ref # 92049)	92049-1210	1
SEAL-OIL,S75 9510 (Ref # 92049A)	92049-1212	1
SEAL-OIL (Ref # 92049B)	92049-1234	1
RING-O,ID=18.64 (Ref # 92055)	92055-1044	2
RING-O,61.6MM (Ref # 92055A)	92055-1280	1
RING-O,35.8MM (Ref # 92055B)	92055-1281	1
RING-O,19.8X1.9 (Ref # 92055C)	92055-1332	1
PLUG,OIL FILLER CAP,M.SILVER (Ref # 92066A)	92066-1006-7J	1
PLUG,6.2X3 (Ref # 92066B)	92066-1272	1
SPRING,DRIVE SHAFT (Ref # 92081)	92081-1717	1
BOLT-FLANGED (Ref # 130)	130X0812	1
CIRCLIP-TYPE-C,16MM (Ref # 480)	480J1600	1
PIN-SPRING (Ref # 555)	555A0428	1
O RING (Ref # 671)	671B25145	1