

# 1986 Vulcan 750 PARTS DIAGRAM

Seat

F2510-0285

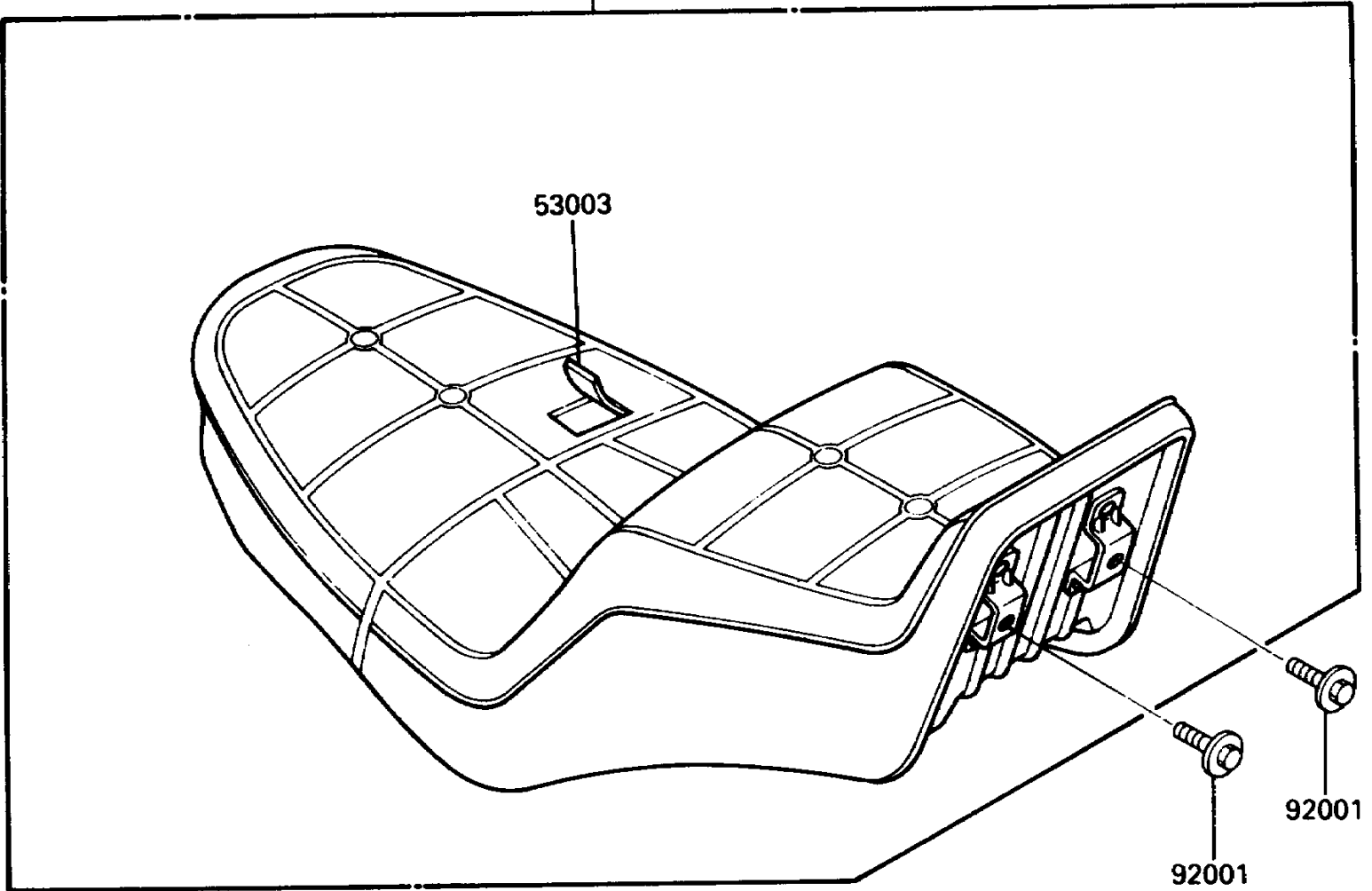


53001

53003

92001

92001



# 1986 Vulcan 750 PARTS LIST

## Seat

| ITEM NAME                    | PART NUMBER | QUANTITY |
|------------------------------|-------------|----------|
| SEAT-ASSY,DUAL (Ref # 53001) | 53001-1454  | 1        |
| LEATHER,SEAT (Ref # 53003)   | 53003-1157  | 1        |
| BOLT,6X20 (Ref # 92001)      | 92001-1773  | 2        |