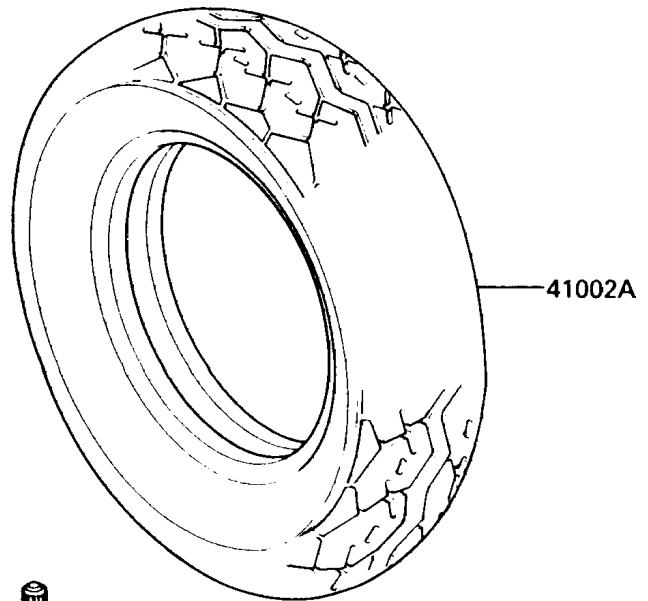
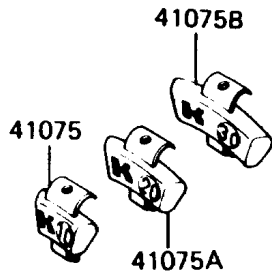
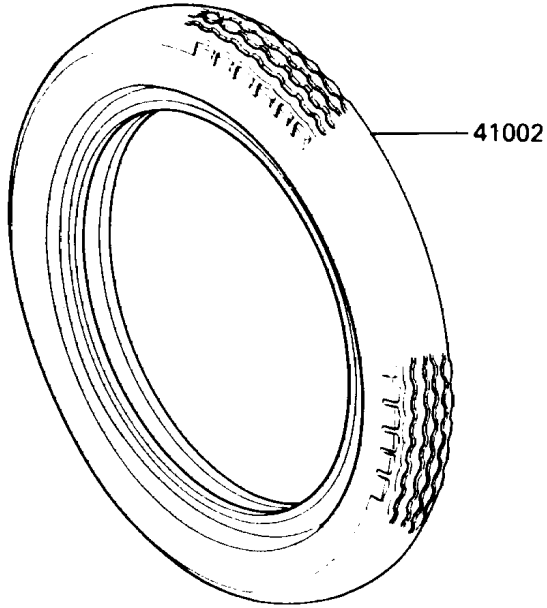
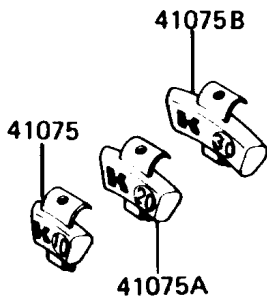


# 1991 Vulcan 750 PARTS DIAGRAM

Tire

F2210



# 1991 Vulcan 750 PARTS LIST

## Tire

ITEM NAME	PART NUMBER	QUANTITY
VALVE,TIRE (Ref # 16126)	16126-1140	2
TIRE,FR,100/90-19 57H,F11A(D) (Ref # 41002)	41002-1531	1
TIRE,RR,150/90-15 M/C 74H(D) (Ref # 41002A)	41002-1776	1
BALANCER-WHEEL,10G,SILVER (Ref # 41075)	41075-1014	AR
BALANCER-WHEEL,20G,SILVER (Ref # 41075A)	41075-1015	AR
BALANCER-WHEEL,30G,SILVER (Ref # 41075B)	41075-1016	AR