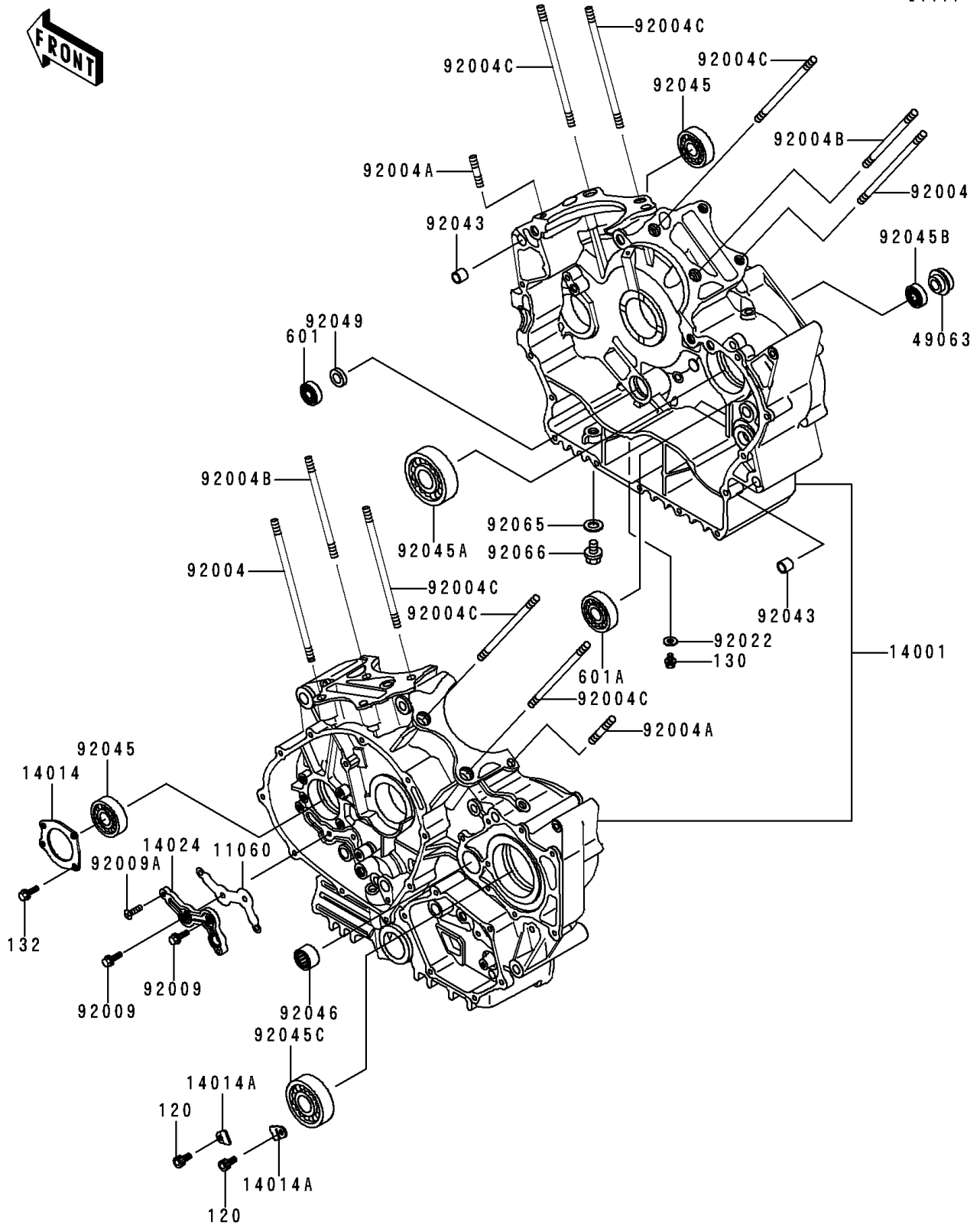


1997 Vulcan 800 PARTS DIAGRAM

Crankcase

E1411



1997 Vulcan 800 PARTS LIST

Crankcase

| ITEM NAME | PART NUMBER | QUANTITY |
|---|-------------|----------|
| BOLT-SOCKET (Ref # 120) | 120S0612 | 2 |
| BOLT-FLANGED (Ref # 130) | 130J0610 | 1 |
| BOLT-FLANGED-SMALL (Ref # 132) | 132G0616 | 4 |
| BEARING-BALL (Ref # 601) | 601A6001 | 1 |
| BEARING-BALL (Ref # 601A) | 601A6204Z | 1 |
| GASKET,OIL LINE COVER (Ref # 11060) | 11060-1087 | 1 |
| SET-CRANKCASE (Ref # 14001) | 14001-5342 | 1 |
| PLATE-POSITION (Ref # 14014) | 14014-1068 | 1 |
| PLATE-POSITION (Ref # 14014A) | 14014-1121 | 2 |
| COVER,OIL LINE (Ref # 14024) | 14024-1074 | 1 |
| SEAL-MECHANICAL (Ref # 49063) | 49063-1052 | 1 |
| STUD,8M/M (Ref # 92004) | 92004-1035 | 4 |
| STUD,8X28.5 (Ref # 92004A) | 92004-1142 | 2 |
| STUD,10X148 (Ref # 92004B) | 92004-1220 | 2 |
| STUD,10X160 (Ref # 92004C) | 92004-1221 | 6 |
| SCREW (Ref # 92009) | 92009-1266 | 2 |
| SCREW,6X20 (Ref # 92009A) | 92009-1447 | 1 |
| WASHER,6.1X12X1 (Ref # 92022) | 92022-077 | 1 |
| PIN,11X14X12.3 (Ref # 92043) | 92043-1266 | 2 |
| BEARING-BALL,TMB204 JR (Ref # 92045) | 92045-1041 | 2 |
| BEARING-BALL,TMB305 (Ref # 92045A) | 92045-1137 | 1 |
| BEARING-BALL,6001LLU (Ref # 92045B) | 92045-1151 | 1 |
| BEARING-BALL,TMB305X3 (Ref # 92045C) | 92045-1167 | 1 |
| BEARING-NEEDLE (Ref # 92046) | 92046-1239 | 1 |
| SEAL-OIL,AC037AE0 (Ref # 92049) | 92049-1228 | 1 |
| GASKET,12X22X2,DRAIN PLUG (Ref # 92065) | 92065-097 | 1 |
| PLUG,OIL DRAIN,12X15 (Ref # 92066) | 92066-1174 | 1 |