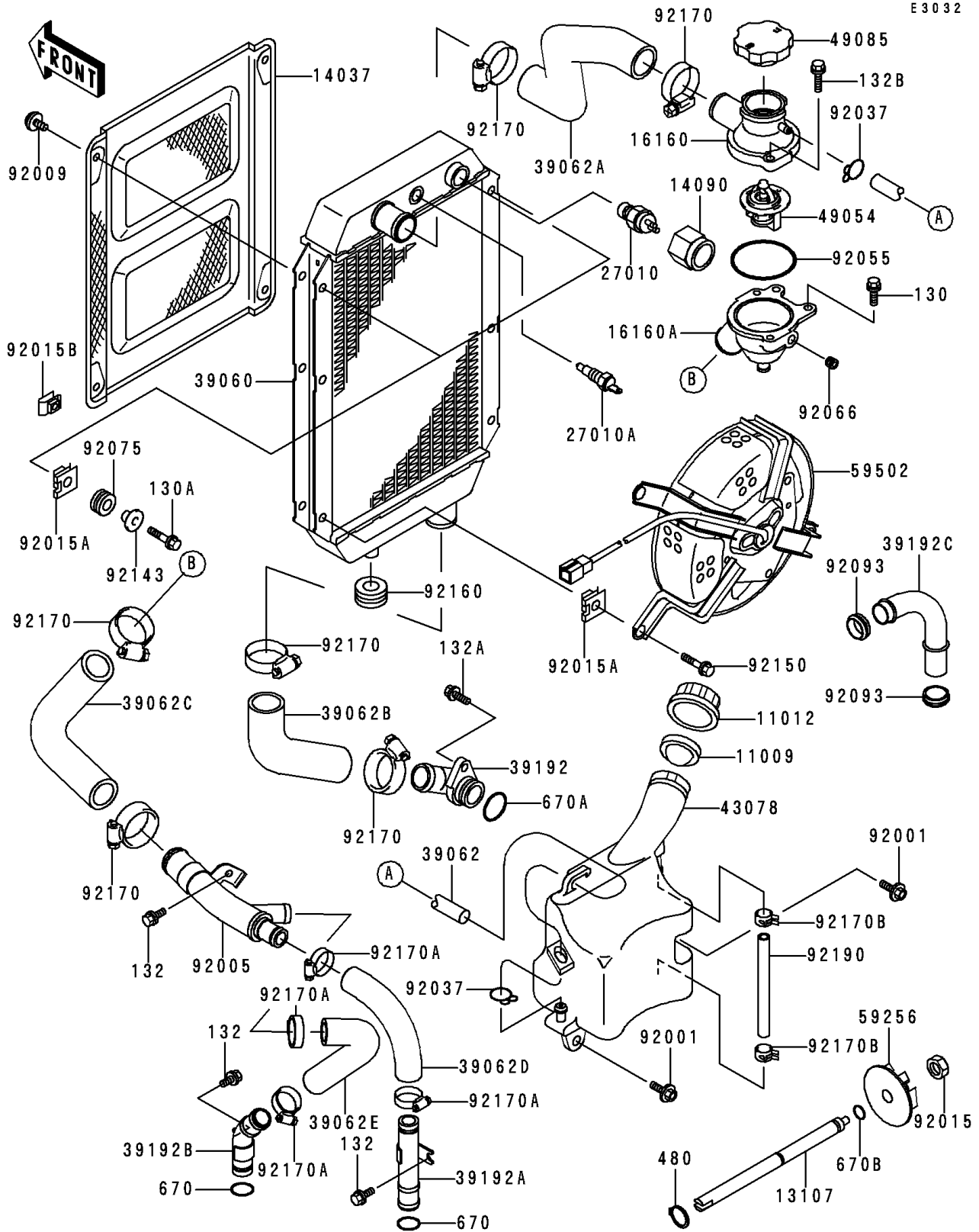


# 1999 Vulcan 800 PARTS DIAGRAM

Radiator



E3032

# 1999 Vulcan 800 PARTS LIST

## Radiator

ITEM NAME	PART NUMBER	QUANTITY
GASKET,RESERVOIR TANK CAP (Ref # 11009)	11009-1145	1
CAP (Ref # 11012)	11012-1084	1
SHAFT,IMPELLER (Ref # 13107)	13107-1155	1
SCREEN,RADIATOR (Ref # 14037)	14037-1200	1
COVER,THERMOSTAT (Ref # 14090)	14090-1522	1
BODY,UPP (Ref # 16160)	16160-1152	1
BODY (Ref # 16160A)	16160-1242	1
SWITCH,FAN (Ref # 27010)	27010-1202	1
SWITCH,WARNING (Ref # 27010A)	27010-1305	1
RADIATOR (Ref # 39060)	39060-1132	1
HOSE-COOLING (Ref # 39062)	39062-1124	1
HOSE-COOLING,THERMO-RADIATOR (Ref # 39062A)	39062-1646	1
HOSE-COOLING,RADIATOR-COVER (Ref # 39062B)	39062-1647	1
HOSE-COOLING,THERMO-FITTING (Ref # 39062C)	39062-1648	1
HOSE-COOLING,HEAD,RR-FITTING (Ref # 39062D)	39062-1649	1
HOSE-COOLING,HEAD,FR-FITTING (Ref # 39062E)	39062-1650	1
PIPE-WATER,INLET (Ref # 39192)	39192-1078	1
PIPE-WATER,HEAD,RR (Ref # 39192A)	39192-1079	1
PIPE-WATER,HEAD,FR (Ref # 39192B)	39192-1080	1
PIPE-WATER,OUTLET (Ref # 39192C)	39192-1106	1
RESERVOIR (Ref # 43078)	43078-1149	1
THERMOSTAT (Ref # 49054)	49054-1067	1
CAP-ASSY-PRESSURE (Ref # 49085)	49085-1067	1
IMPELLER (Ref # 59256)	59256-1058	1
FAN-ASSY (Ref # 59502)	59502-1113	1
BOLT,6X16 (Ref # 92001)	92001-1950	2
FITTING (Ref # 92005)	92005-1281	1
SCREW,TAPPING,6MM (Ref # 92009)	92009-1261	4
NUT,LOCK,6MM,BLACK (Ref # 92015)	92015-1191	1

# 1999 Vulcan 800 PARTS LIST

## Radiator

ITEM NAME	PART NUMBER	QUANTITY
NUT (Ref # 92015A)	92015-1487	5
NUT,6MM (Ref # 92015B)	92015-1758	4
CLAMP,TUBE (Ref # 92037)	92037-147	2
RING-O,53.5X2.6 (Ref # 92055)	92055-112	1
PLUG,OIL LINE,1/8X7 (Ref # 92066)	92066-1227	1
DAMPER (Ref # 92075)	92075-1901	2
SEAL (Ref # 92093)	92093-1427	2
COLLAR (Ref # 92143)	92143-1353	2
BOLT,6X12 (Ref # 92150)	92150-1186	3
DAMPER (Ref # 92160)	92160-1007	1
CLAMP,COOLING HOSE (Ref # 92170)	92170-1284	6
BOLT-FLANGED,6X16,BLACK (Ref # 130)	130J0616	2
BOLT-FLANGED,6X25 (Ref # 130A)	130J0625	2
BOLT-FLANGED-SMALL (Ref # 132)	132J0612	3
BOLT-FLANGED-SMALL (Ref # 132A)	132J0618	1
BOLT-FLANGED-SMALL (Ref # 132B)	132J0620	2
CIRCLIP-TYPE-C,12MM (Ref # 480)	480J1200	1
O RING,14MM (Ref # 670)	670B2014	2
O RING,21MM (Ref # 670A)	670B2021	1
O RING,9MM (Ref # 670B)	670D1509	1
CLAMP,COOLING HOSE (Ref # 92170A)	92170-1285	4
CLAMP (Ref # 92170B)	92170-1493	2
TUBE,7X10X106 (Ref # 92190)	92190-1603	1