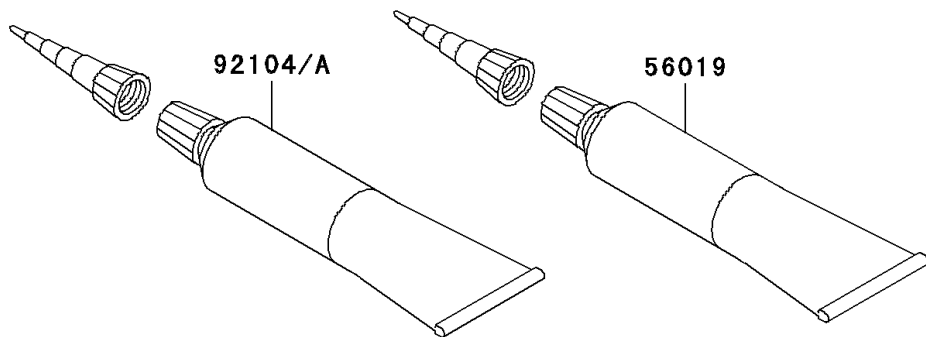
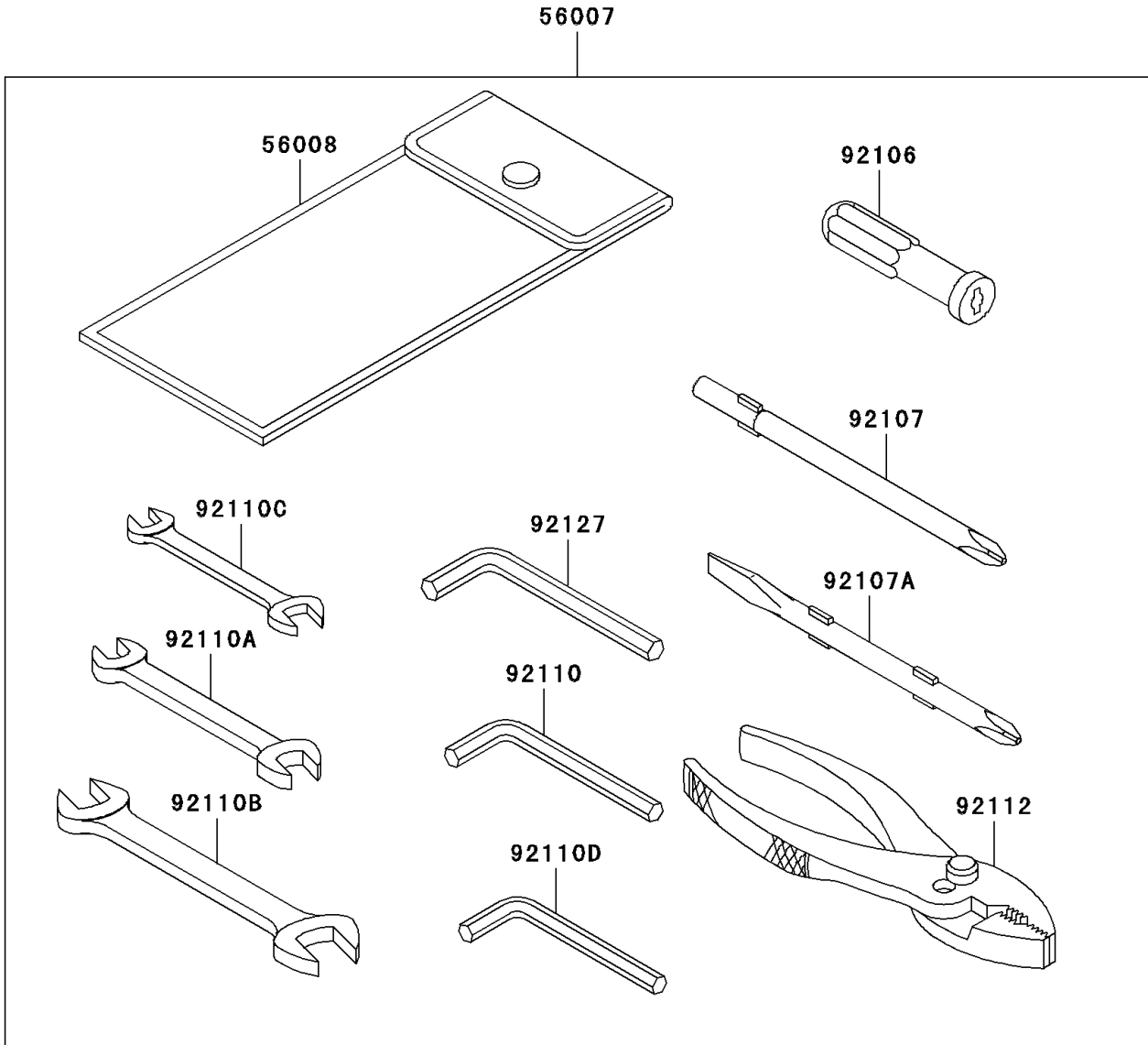


2009 Vulcan® 2000 Classic PARTS DIAGRAM

Owner's Tools

F2810



2009 Vulcan® 2000 Classic PARTS LIST

Owner's Tools

| ITEM NAME | PART NUMBER | QUANTITY |
|--|-------------|----------|
| TOOL-KIT (Ref # 56007) | 56007-0011 | 1 |
| BAG,TOOL (Ref # 56008) | 56008-0001 | 1 |
| GASKET-LIQUID,TB1211,WHITE (Ref # 56019) | 56019-120 | 1 |
| GASKET-LIQUID,TB1211F,CLEAR (Ref # 92104) | 92104-0004 | 1 |
| GASKET-LIQUID,TB1216B,BLACK (Ref # 92104A) | 92104-1064 | 1 |
| GRIP-SCREW DRIVER (Ref # 92106) | 92106-1001 | 1 |
| TOOL-DRIVER,#3PHILLIPS (Ref # 92107) | 92107-008 | 1 |
| TOOL-DRIVER,#2PHILLIPS&SLOT (Ref # 92107A) | 92107-1052 | 1 |
| TOOL-WRENCH,ALLEN,5MM (Ref # 92110) | 92110-1015 | 1 |
| TOOL-WRENCH,OPEN END,10X12 (Ref # 92110A) | 92110-1165 | 1 |
| TOOL-WRENCH,OPEN END,14X17 (Ref # 92110B) | 92110-1166 | 1 |
| TOOL-WRENCH,OPEN END,8X10 (Ref # 92110C) | 92110-1167 | 1 |
| TOOL-WRENCH,ALLEN,4MM (Ref # 92110D) | 92110-3703 | 1 |
| TOOL-PLIERS (Ref # 92112) | 92112-003 | 1 |
| TOOL-WRENCH,ALLEN,6MM (Ref # 92127) | 92127-003 | 1 |