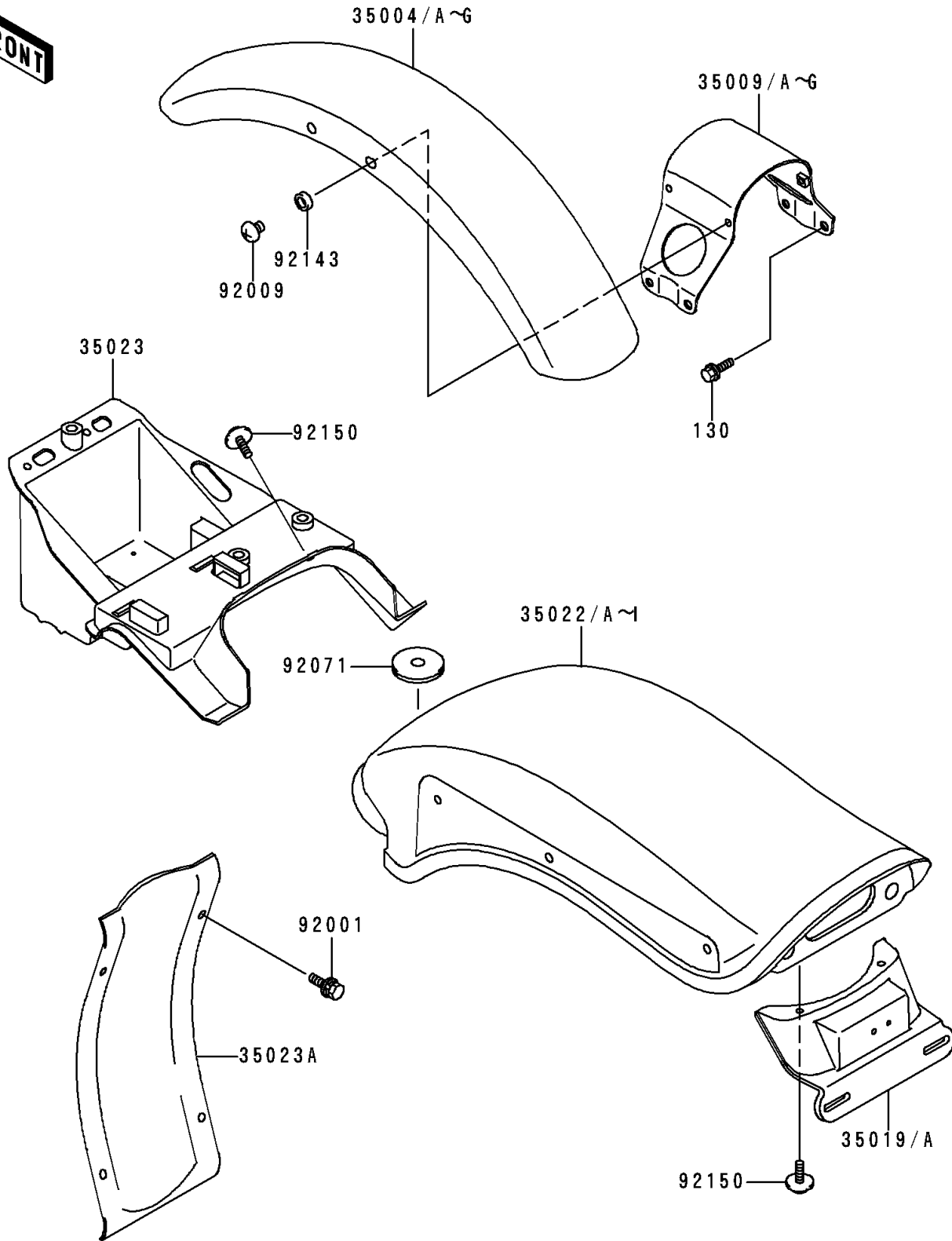


# 1999 Vulcan 800 PARTS DIAGRAM

Fenders

F2170



# 1999 Vulcan 800 PARTS LIST

## Fenders

ITEM NAME	PART NUMBER	QUANTITY
BOLT-FLANGED,8X14 (Ref # 130)	130J0814	4
FENDER-FRONT,F.RED (Ref # 35004A)	35004-1329-B1	1
BRACE,FRONT FENDER,F.RED (Ref # 35009A)	35009-1106-B1	1
FLAP,RR (Ref # 35019A)	35019-1340	1
FENDER-COMP-REAR,RR,F.RED (Ref # 35022E)	35022-1318-B1	1
FENDER-REAR,FR (Ref # 35023)	35023-1407	1
FENDER-REAR (Ref # 35023A)	35023-1417	1
BOLT,6X20 (Ref # 92001)	92001-1765	4
SCREW,6X12 (Ref # 92009)	92009-1744	4
GROMMET (Ref # 92071)	92071-1228	1
COLLAR (Ref # 92143)	92143-1307	4
BOLT,6X14 (Ref # 92150)	92150-1133	4
FENDER-FRONT,EBONY (Ref # 35004C)	35004-1329-H8	1
BRACE,FRONT FENDER,EBONY (Ref # 35009C)	35009-1106-H8	1
FENDER-COMP-REAR,RR,EBONY (Ref # 35022F)	35022-1318-H8	1