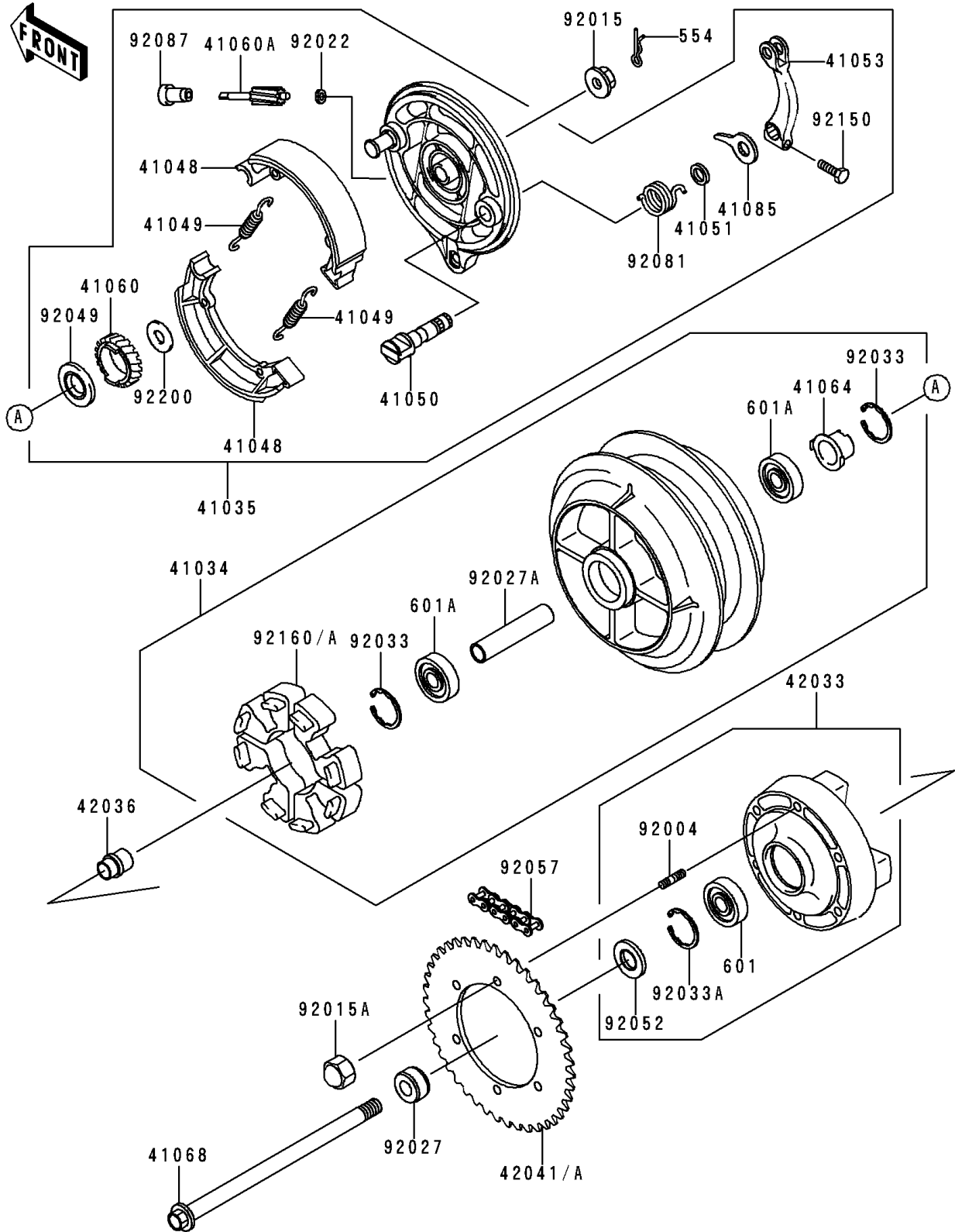


1995 Vulcan 800 PARTS DIAGRAM

Rear Wheel/Chain

F2240



1995 Vulcan 800 PARTS LIST

Rear Wheel/Chain

| ITEM NAME | PART NUMBER | QUANTITY |
|------------------------------------------|-------------|----------|
| PIN-SNAP,10MM (Ref # 554) | 554A1000 | 1 |
| BEARING-BALL,#6205UG (Ref # 601) | 601B6205UG | 1 |
| BEARING-BALL,#6303UUC3 (Ref # 601A) | 601B6303UU | 2 |
| DRUM-ASSY,REAR BRAKE (Ref # 41034) | 41034-1248 | 1 |
| PANEL-ASSY-BRAKE,RR (Ref # 41035) | 41035-1482 | 1 |
| SHOE-BRAKE (Ref # 41048) | 41048-1070 | 2 |
| SPRING,BRAKE SHOE (Ref # 41049) | 41049-012 | 2 |
| CAM-BRAKE (Ref # 41050) | 41050-1013 | 1 |
| SEAL,BRAKE CAM (Ref # 41051) | 41051-003 | 1 |
| LEVER-BRAKE CAM (Ref # 41053) | 41053-1063 | 1 |
| GEAR-METER SCREW,23T (Ref # 41060) | 41060-1154 | 1 |
| GEAR-METER SCREW,8T (Ref # 41060A) | 41060-1155 | 1 |
| RECEIVER-SPEEDOMETER (Ref # 41064) | 41064-1057 | 1 |
| AXLE,RR (Ref # 41068) | 41068-1365 | 1 |
| INDICATOR (Ref # 41085) | 41085-1054 | 1 |
| COUPLING-ASSY,RR HUB (Ref # 42033) | 42033-1180 | 1 |
| SLEEVE,RR HUB,L=33 (Ref # 42036) | 42036-1146 | 1 |
| SPROCKET-HUB,46T (Ref # 42041) | 42041-1442 | 1 |
| STUD,10X19.5 (Ref # 92004) | 92004-1151 | 6 |
| NUT,FLANGED,16MM (Ref # 92015) | 92015-1946 | 1 |
| NUT,CAP,10MM (Ref # 92015A) | 92015-1961 | 6 |
| WASHER,5X9.5X0.8 (Ref # 92022) | 92022-1511 | 1 |
| COLLAR,REAR AXLE,LH,L=18.5 (Ref # 92027) | 92027-1321 | 1 |
| COLLAR,17.2X25X96 (Ref # 92027A) | 92027-1555 | 1 |
| RING-SNAP,47MM (Ref # 92033) | 92033-1042 | 2 |
| RING-SNAP,52MM (Ref # 92033A) | 92033-1043 | 1 |
| SEAL-OIL,BJN30427-C3 (Ref # 92049) | 92049-1057 | 1 |
| SEAL-OIL,TWC35527 (Ref # 92052) | 92052-006 | 1 |
| CHAIN,DRIVE,EK50MV-OX114L (Ref # 92057) | 92057-1369 | 1 |

1995 Vulcan 800 PARTS LIST

Rear Wheel/Chain

| ITEM NAME | PART NUMBER | QUANTITY |
|---------------------------------------------|-------------|----------|
| SPRING,BRAKE CAM LEVER RETURN (Ref # 92081) | 92081-1816 | 1 |
| BUSHING-METER GEAR (Ref # 92087) | 92087-1060 | 1 |
| BOLT,8X27 (Ref # 92150) | 92150-1797 | 1 |
| DAMPER,SHOCK,RR HUB (Ref # 92160) | 92160-1657 | 4 |
| WASHER,24X32X1.5 (Ref # 92200) | 92200-1269 | 1 |