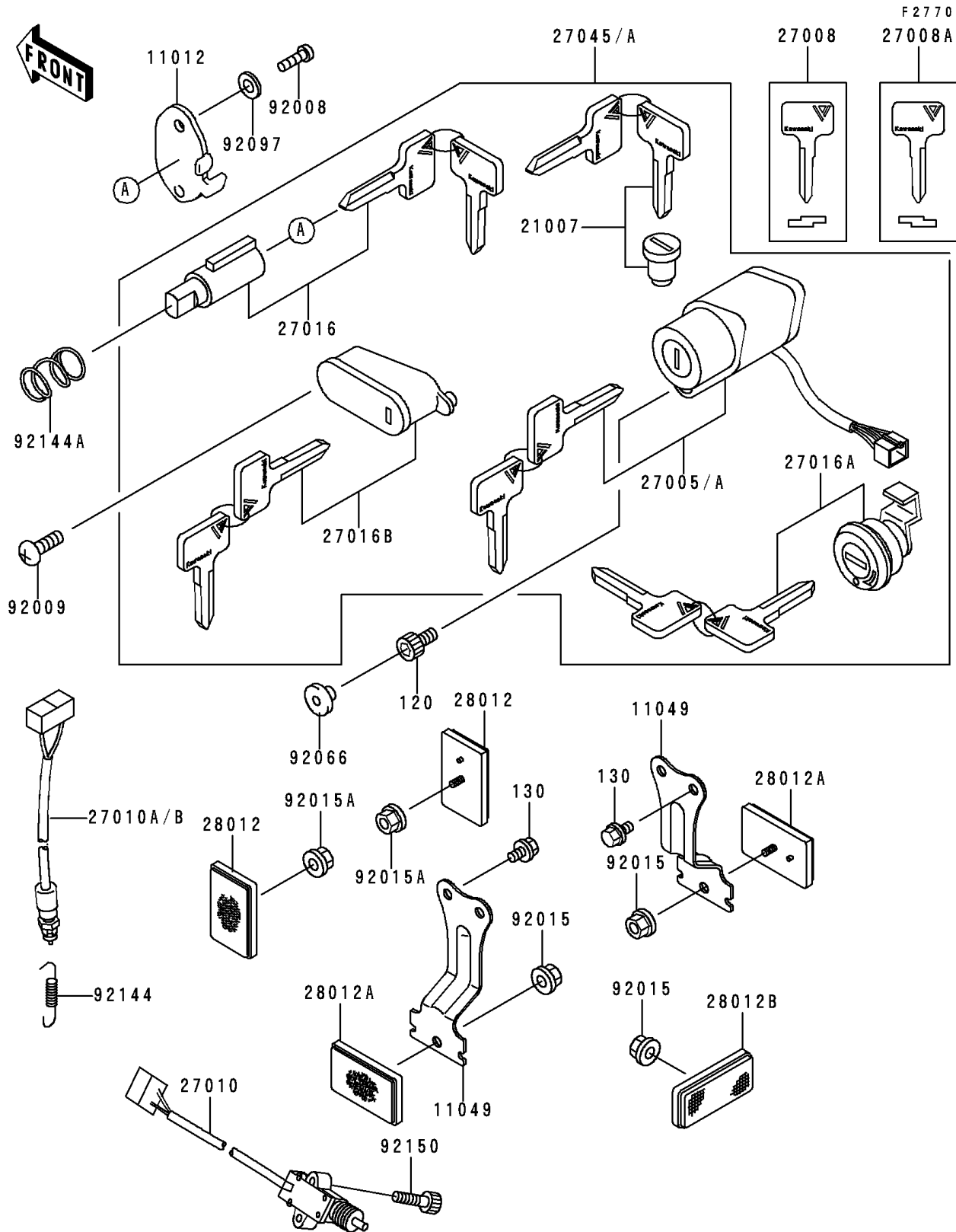


1998 Vulcan 800 PARTS DIAGRAM

Ignition Switch/Locks/Reflectors



1998 Vulcan 800 PARTS LIST

Ignition Switch/Locks/Reflectors

| ITEM NAME | PART NUMBER | QUANTITY |
|--|-------------|----------|
| BOLT-SOCKET (Ref # 120) | 120P0512 | 1 |
| BOLT-FLANGED (Ref # 130) | 130J0508 | 4 |
| CAP,STEERING LOCK (Ref # 11012) | 11012-1586 | 1 |
| BRACKET,REFLECTOR (Ref # 11049) | 11049-1146 | 2 |
| ROTOR,LOCK,TANK CAP (Ref # 21007) | 21007-5024 | 1 |
| SWITCH-ASSY-IGNITION (Ref # 27005A) | 27005-1204 | 1 |
| KEY-LOCK,BLANK,#A (Ref # 27008) | 27008-1138 | 1 |
| KEY-LOCK,BLANK,#B (Ref # 27008A) | 27008-1139 | 1 |
| SWITCH,SIDE STAND (Ref # 27010) | 27010-1352 | 1 |
| SWITCH,REAR BRAKE (Ref # 27010B) | 27010-1370 | 1 |
| LOCK-ASSY,STEERING (Ref # 27016) | 27016-5131 | 1 |
| LOCK-ASSY,LID (Ref # 27016A) | 27016-5225 | 2 |
| LOCK-ASSY,HELMET (Ref # 27016B) | 27016-5226 | 1 |
| SWITCH-ASSY (Ref # 27045A) | 27045-5040 | 1 |
| REFLECTOR-REFLEX,FR (Ref # 28012) | 28012-1009 | 2 |
| REFLECTOR-REFLEX,RR (Ref # 28012A) | 28012-1051 | 2 |
| REFLECTOR-REFLEX (Ref # 28012B) | 28012-1077 | 1 |
| SCREW,3.51MM (Ref # 92008) | 92008-007 | 1 |
| SCREW,5X14 (Ref # 92009) | 92009-1341 | 1 |
| NUT,FLANGED,5MM (Ref # 92015) | 92015-1259 | 3 |
| NUT,FLANGED,5MM (Ref # 92015A) | 92015-1656 | 2 |
| PLUG (Ref # 92066) | 92066-1435 | 1 |
| WASHER,WAVE (Ref # 92097) | 92097-003 | 1 |
| SPRING,REAR BRAKE SWITCH (Ref # 92144) | 92144-1141 | 1 |
| SPRING,STEERING LOCK (Ref # 92144A) | 92144-1222 | 1 |
| BOLT,SOCKET,5X22 (Ref # 92150) | 92150-1491 | 2 |