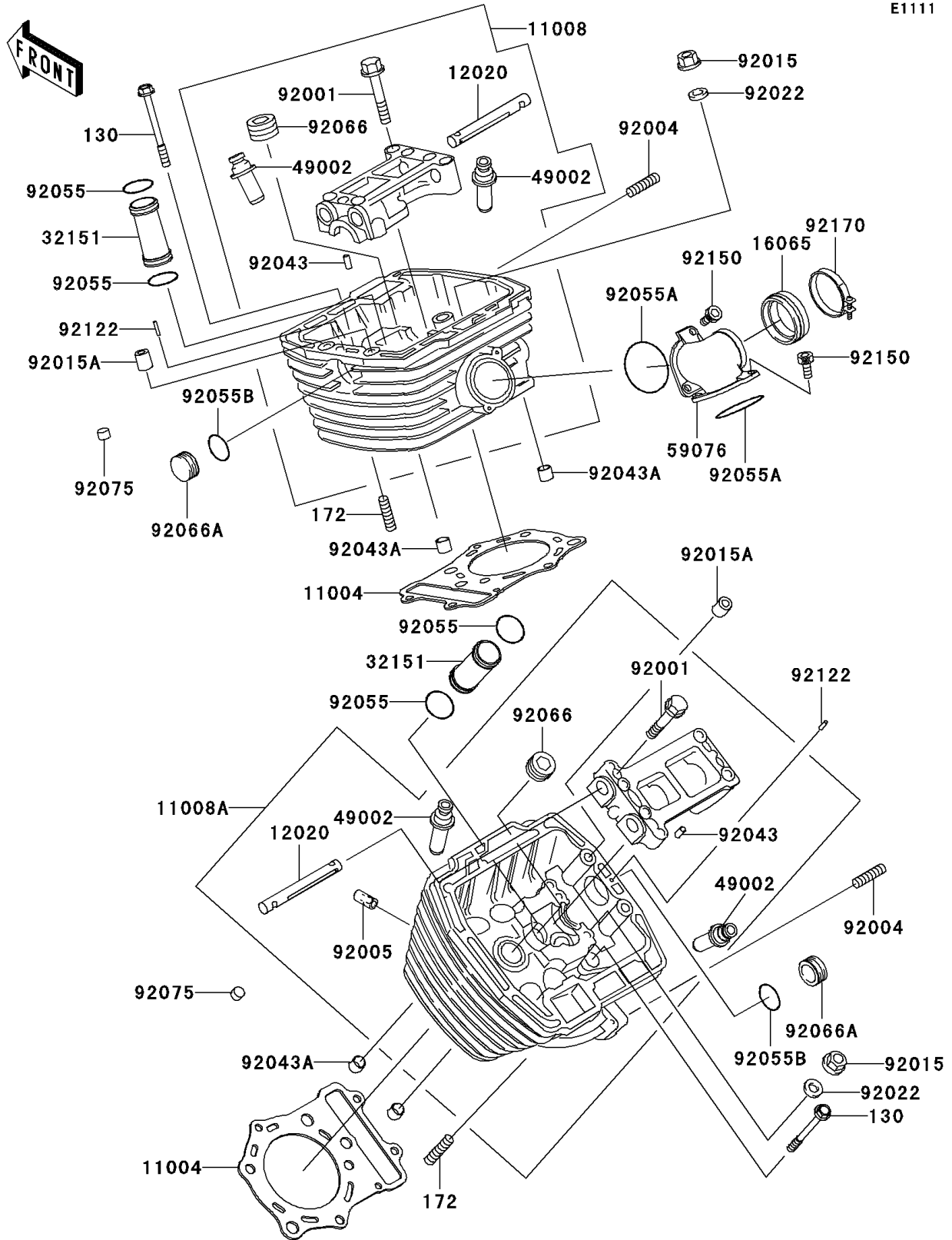


2005 Vulcan 800 PARTS DIAGRAM

Cylinder Head

E1111



2005 Vulcan 800 PARTS LIST

Cylinder Head

| ITEM NAME | PART NUMBER | QUANTITY |
|--------------------------------------|-------------|----------|
| BOLT-FLANGED (Ref # 130) | 130S0665 | 2 |
| BOLT-STUD,8X25 (Ref # 172) | 172G0825 | 4 |
| GASKET-HEAD (Ref # 11004) | 11004-1310 | 2 |
| HEAD-COMP-CYLINDER,FR (Ref # 11008) | 11008-1301 | 1 |
| HEAD-COMP-CYLINDER,RR (Ref # 11008A) | 11008-1302 | 1 |
| SHAFT-ROCKER (Ref # 12020) | 12020-1070 | 4 |
| HOLDER-CARBURETOR (Ref # 16065) | 16065-1308 | 1 |
| PIPE,PLUG (Ref # 32151) | 32151-1893 | 2 |
| GUIDE-VALVE (Ref # 49002) | 49002-1097 | AR |
| MANIFOLD-INTAKE (Ref # 59076) | 59076-1102 | 1 |
| BOLT,FLANGED,8X58 (Ref # 92001) | 92001-1005 | 8 |
| STUD,8X22 (Ref # 92004) | 92004-1217 | 4 |
| FITTING,BREATHER PIPE (Ref # 92005) | 92005-1061 | 1 |
| NUT,FLANGED,10MM (Ref # 92015) | 92015-077 | 8 |
| NUT (Ref # 92015A) | 92015-1923 | 4 |
| WASHER,10.5X20X1.6 (Ref # 92022) | 92022-1591 | 8 |
| PIN,6.2X8X14 (Ref # 92043) | 92043-1263 | 4 |
| PIN,11X14X12.3 (Ref # 92043A) | 92043-1266 | 4 |
| RING-O,27.7X1.9 (Ref # 92055) | 92055-1272 | 4 |
| RING-O,44.7X2.4 (Ref # 92055A) | 92055-1279 | 2 |
| RING-O,ID=24.5 (Ref # 92055B) | 92055-1459 | 2 |
| PLUG,PT1/2X12.5 (Ref # 92066) | 92066-0002 | 2 |
| PLUG,CAM HOLE (Ref # 92066A) | 92066-1462 | 2 |
| DAMPER (Ref # 92075) | 92075-182 | 33 |
| ROLLER,3X15.8 (Ref # 92122) | 92122-1126 | 2 |
| BOLT,SOCKET,6X20 (Ref # 92150) | 92150-1880 | 4 |
| CLAMP (Ref # 92170) | 92170-1632 | 1 |