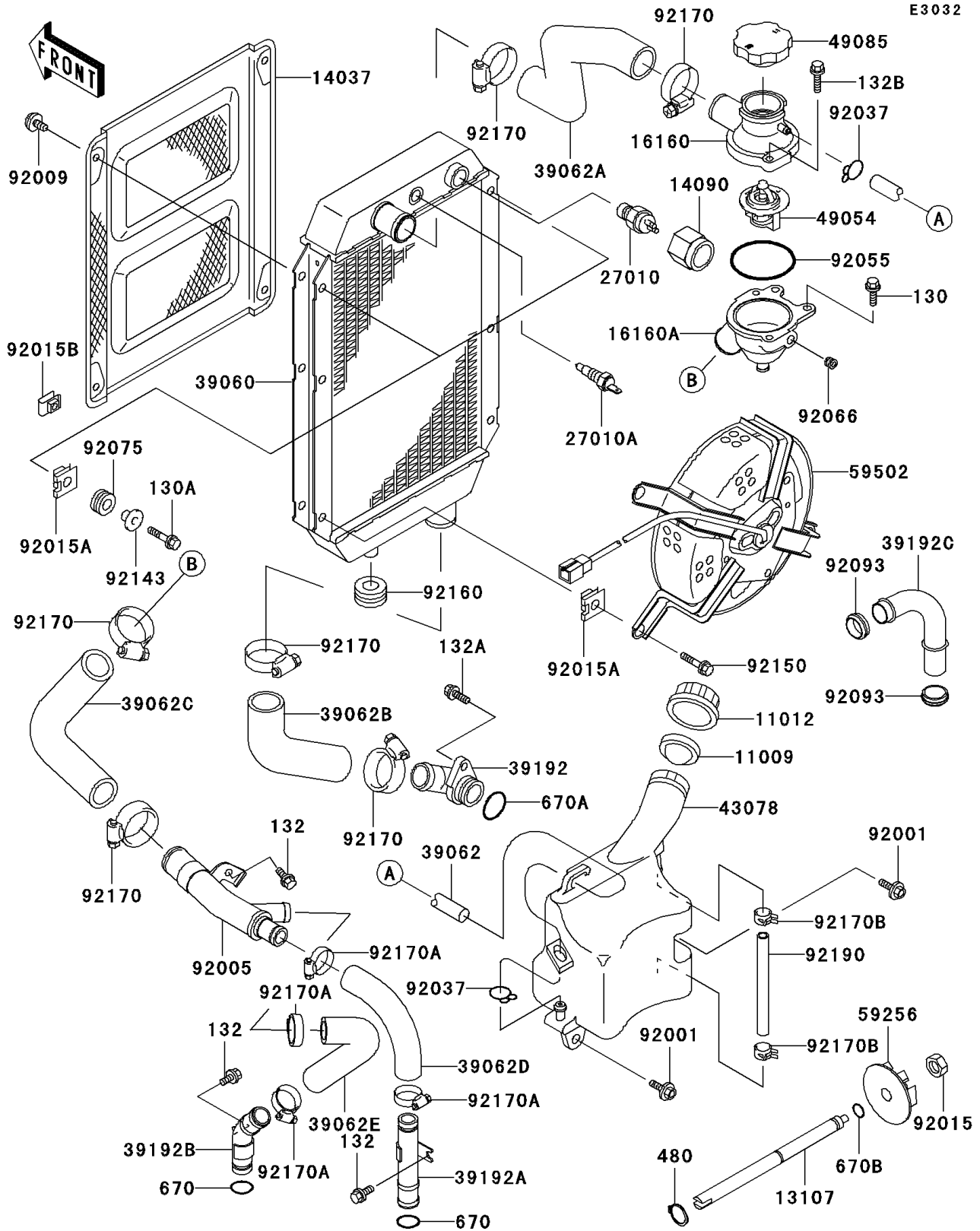


2002 Vulcan 800 PARTS DIAGRAM

Radiator



E3032

2002 Vulcan 800 PARTS LIST

Radiator

| ITEM NAME | PART NUMBER | QUANTITY |
|---|-------------|----------|
| GASKET,RESERVOIR TANK CAP (Ref # 11009) | 11009-1145 | 1 |
| CAP (Ref # 11012) | 11012-1084 | 1 |
| SHAFT,IMPELLER (Ref # 13107) | 13107-1155 | 1 |
| SCREEN,RADIATOR (Ref # 14037) | 14037-1200 | 1 |
| COVER,THERMOSTAT (Ref # 14090) | 14090-1522 | 1 |
| BODY,UPP (Ref # 16160) | 16160-1152 | 1 |
| BODY (Ref # 16160A) | 16160-1242 | 1 |
| SWITCH,FAN (Ref # 27010) | 27010-1202 | 1 |
| SWITCH,WARNING (Ref # 27010A) | 27010-1305 | 1 |
| RADIATOR (Ref # 39060) | 39060-1164 | 1 |
| HOSE-COOLING (Ref # 39062) | 39062-1124 | 1 |
| HOSE-COOLING,THERMO-RADIATOR (Ref # 39062A) | 39062-1646 | 1 |
| HOSE-COOLING,RADIATOR-COVER (Ref # 39062B) | 39062-1647 | 1 |
| HOSE-COOLING,THERMO-FITTING (Ref # 39062C) | 39062-1648 | 1 |
| HOSE-COOLING,HEAD,RR-FITTING (Ref # 39062D) | 39062-1649 | 1 |
| HOSE-COOLING,HEAD,FR-FITTING (Ref # 39062E) | 39062-1650 | 1 |
| PIPE-WATER,INLET (Ref # 39192) | 39192-1078 | 1 |
| PIPE-WATER,HEAD,RR (Ref # 39192A) | 39192-1079 | 1 |
| PIPE-WATER,HEAD,FR (Ref # 39192B) | 39192-1080 | 1 |
| PIPE-WATER,OUTLET (Ref # 39192C) | 39192-1106 | 1 |
| RESERVOIR (Ref # 43078) | 43078-1149 | 1 |
| THERMOSTAT (Ref # 49054) | 49054-1067 | 1 |
| CAP-ASSY-PRESSURE (Ref # 49085) | 49085-1067 | 1 |
| IMPELLER (Ref # 59256) | 59256-1058 | 1 |
| FAN-ASSY (Ref # 59502) | 59502-1132 | 1 |
| BOLT,6X16 (Ref # 92001) | 92001-1950 | 2 |
| FITTING (Ref # 92005) | 92005-1281 | 1 |
| SCREW,TAPPING,6MM (Ref # 92009) | 92009-1261 | 4 |
| NUT,LOCK,6MM,BLACK (Ref # 92015) | 92015-1191 | 1 |

2002 Vulcan 800 PARTS LIST

Radiator

| ITEM NAME | PART NUMBER | QUANTITY |
|-------------------------------------|-------------|----------|
| NUT (Ref # 92015A) | 92015-1487 | 5 |
| NUT,6MM (Ref # 92015B) | 92015-1758 | 4 |
| CLAMP,TUBE (Ref # 92037) | 92037-147 | 2 |
| RING-O,53.5X2.6 (Ref # 92055) | 92055-112 | 1 |
| PLUG,PT1/8X7 (Ref # 92066) | 92066-1227 | 1 |
| DAMPER (Ref # 92075) | 92075-1901 | 2 |
| SEAL (Ref # 92093) | 92093-1427 | 2 |
| COLLAR (Ref # 92143) | 92143-1353 | 2 |
| BOLT,6X12 (Ref # 92150) | 92150-1186 | 3 |
| DAMPER (Ref # 92160) | 92160-1007 | 1 |
| CLAMP,COOLING HOSE (Ref # 92170) | 92170-1284 | 6 |
| BOLT-FLANGED,6X16,BLACK (Ref # 130) | 130J0616 | 2 |
| BOLT-FLANGED,6X25 (Ref # 130A) | 130J0625 | 2 |
| BOLT-FLANGED-SMALL (Ref # 132) | 132J0612 | 3 |
| BOLT-FLANGED-SMALL (Ref # 132A) | 132J0618 | 1 |
| BOLT-FLANGED-SMALL (Ref # 132B) | 132J0620 | 2 |
| CIRCLIP-TYPE-C,12MM (Ref # 480) | 480J1200 | 1 |
| O RING,14MM (Ref # 670) | 670B2014 | 2 |
| O RING,21MM (Ref # 670A) | 670B2021 | 1 |
| O RING,9MM (Ref # 670B) | 670D1509 | 1 |
| CLAMP,COOLING HOSE (Ref # 92170A) | 92170-1285 | 4 |
| CLAMP (Ref # 92170B) | 92170-1493 | 2 |
| TUBE,7X10X106 (Ref # 92190) | 92190-1603 | 1 |