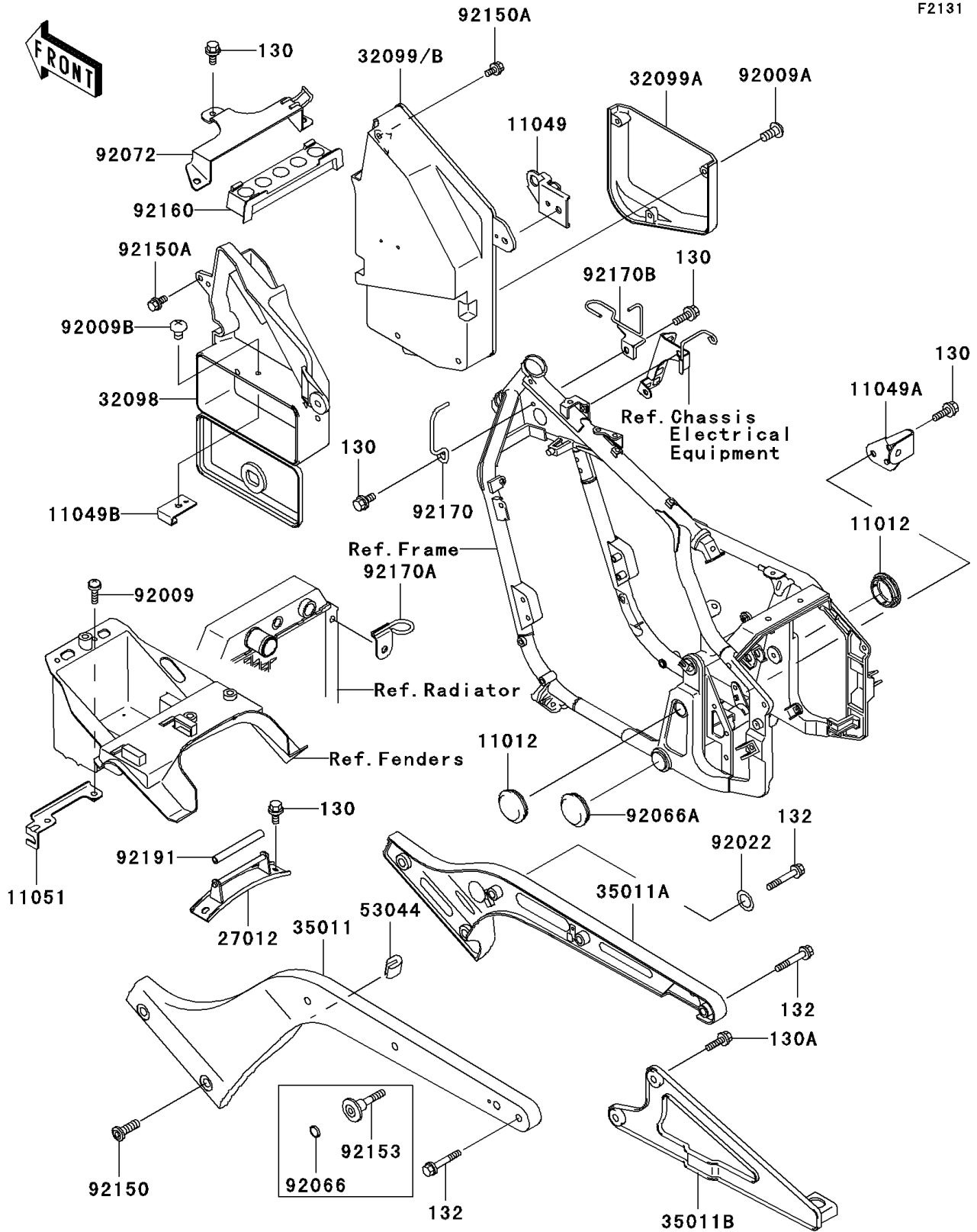


2000 Vulcan 800 PARTS DIAGRAM

Frame Fittings

F2131



2000 Vulcan 800 PARTS LIST

Frame Fittings

| ITEM NAME | PART NUMBER | QUANTITY |
|---------------------------------------|-------------|----------|
| BOLT-FLANGED (Ref # 130) | 130J0612 | 8 |
| BOLT-FLANGED,8X20 (Ref # 130A) | 130J0820 | 2 |
| BOLT-FLANGED-SMALL (Ref # 132) | 132E0835 | 6 |
| CAP (Ref # 11012) | 11012-1926 | 2 |
| BRACKET,SIDE COVER LOCK (Ref # 11049) | 11049-1183 | 1 |
| BRACKET,RESERVOIR TANK (Ref # 11049A) | 11049-1233 | 1 |
| BRACKET,TOOL CASE LOCK (Ref # 11049B) | 11049-1266 | 1 |
| BRACKET,STARTER CABLE (Ref # 11051) | 11051-1328 | 1 |
| HOOK,SEAT (Ref # 27012) | 27012-1495 | 1 |
| CASE-TOOL (Ref # 32098) | 32098-1106 | 1 |
| CASE (Ref # 32099A) | 32099-1164 | 1 |
| STAY,LH (Ref # 35011) | 35011-1725 | 1 |
| STAY,RH (Ref # 35011A) | 35011-1726 | 1 |
| STAY,MUFFLER (Ref # 35011B) | 35011-1727 | 1 |
| TRIM,L=20 (Ref # 53044) | 53044-1292 | 2 |
| SCREW,6X10 (Ref # 92009) | 92009-1402 | 2 |
| SCREW,TAPPING,5X14 (Ref # 92009A) | 92009-1635 | 3 |
| SCREW,5X14 (Ref # 92009B) | 92009-1653 | 1 |
| WASHER (Ref # 92022) | 92022-1823 | 2 |
| PLUG (Ref # 92066) | 92066-1277 | 2 |
| PLUG (Ref # 92066A) | 92066-1434 | 1 |
| BAND,BATTERY (Ref # 92072) | 92072-1320 | 1 |
| BOLT,SOCKET,10X30 (Ref # 92150) | 92150-1517 | 4 |
| BOLT,FLANGED,6X14 (Ref # 92150A) | 92150-1689 | 7 |
| BOLT,BUNGEE CORD HOOK (Ref # 92153) | 92153-1100 | 2 |
| DAMPER,BATTERY BAND (Ref # 92160) | 92160-1634 | 1 |
| CLAMP,HARNESS (Ref # 92170) | 92170-1605 | 1 |
| CLAMP,CABLE (Ref # 92170A) | 92170-1608 | 1 |
| CLAMP,HARNESS&CABLE (Ref # 92170B) | 92170-1622 | 1 |

2000 Vulcan 800 PARTS LIST

Frame Fittings

| ITEM NAME | PART NUMBER | QUANTITY |
|----------------------------|-------------|----------|
| TUBE,6X10X80 (Ref # 92191) | 92191-1009 | 1 |
| CASE,BASE (Ref # 32099) | 32099-1163 | 1 |
| CASE,BASE (Ref # 32099B) | 32099-1167 | 1 |