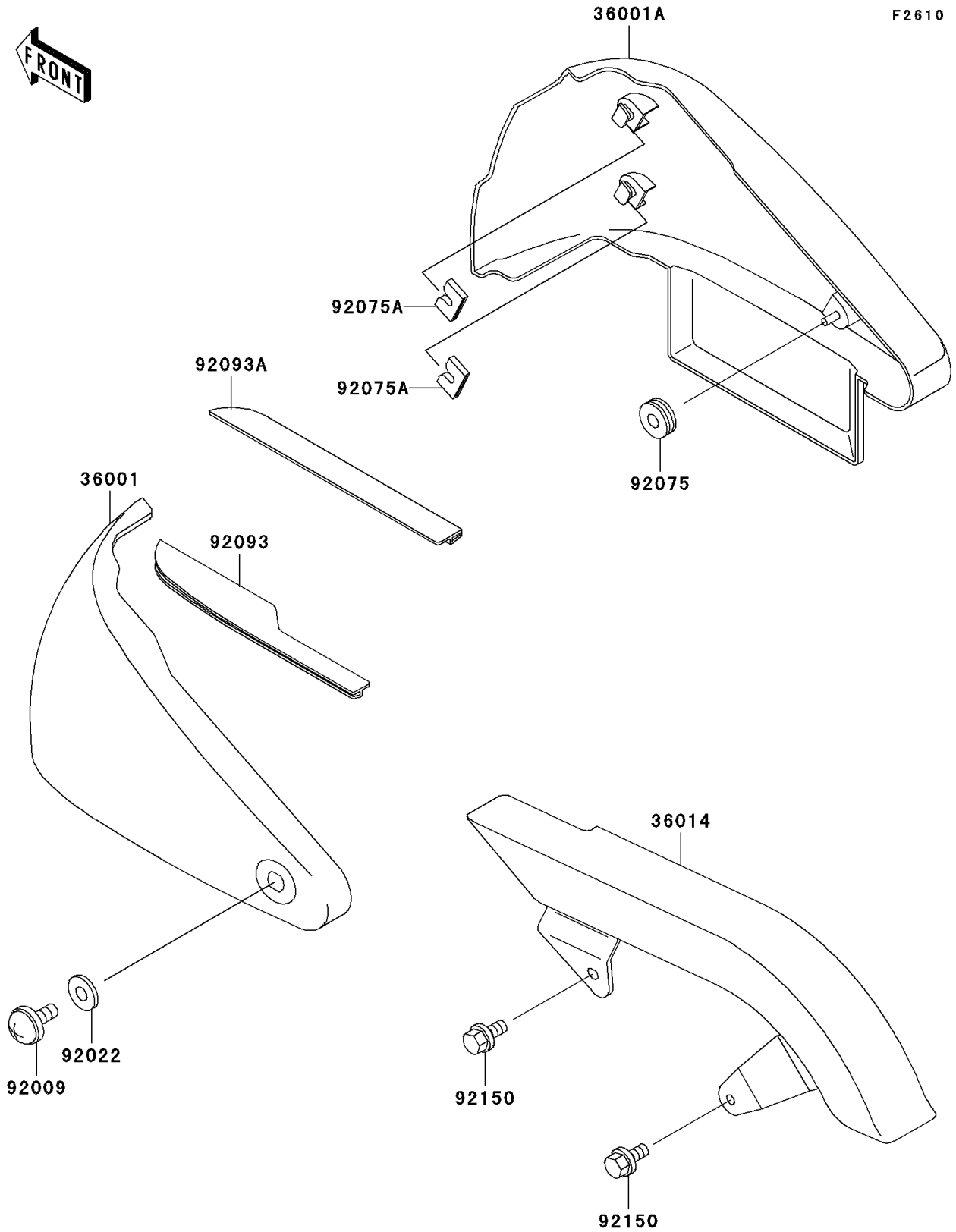


2003 Vulcan 800 PARTS DIAGRAM

Side Covers/Chain Cover



2003 Vulcan 800 PARTS LIST

Side Covers/Chain Cover

| ITEM NAME | PART NUMBER | QUANTITY |
|------------------------------------|---------------|----------|
| COVER-SIDE,LH,EBONY (Ref # 36001) | 36001-1550-H8 | 1 |
| COVER-SIDE,RH,EBONY (Ref # 36001A) | 36001-1551-H8 | 1 |
| CASE-CHAIN (Ref # 36014) | 36014-1198 | 1 |
| SCREW,6X18 (Ref # 92009) | 92009-1663 | 1 |
| WASHER,6.5X16X1 (Ref # 92022) | 92022-1143 | 1 |
| DAMPER (Ref # 92075) | 92075-1629 | 1 |
| DAMPER (Ref # 92075A) | 92075-1967 | 4 |
| SEAL,SIDE COVER,LH (Ref # 92093) | 92093-1405 | 1 |
| SEAL,SIDE COVER,RH (Ref # 92093A) | 92093-1406 | 1 |
| BOLT,6X14 (Ref # 92150) | 92150-1340 | 2 |