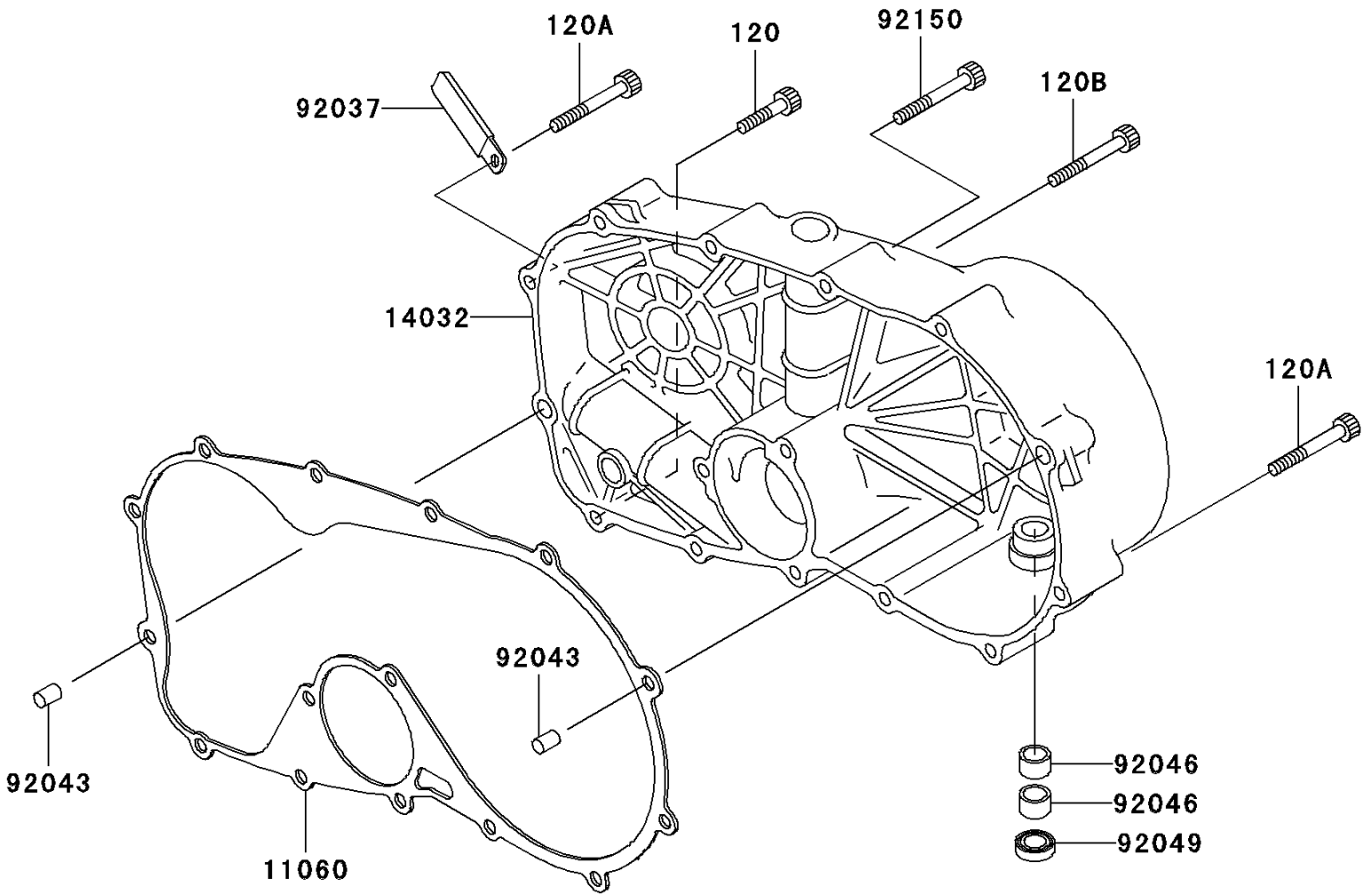


2000 Vulcan 800 Classic PARTS DIAGRAM

Right Engine Cover(s)

E1436



2000 Vulcan 800 Classic PARTS LIST

Right Engine Cover(s)

ITEM NAME	PART NUMBER	QUANTITY
BOLT-SOCKET (Ref # 120)	120R0630	3
BOLT-SOCKET (Ref # 120A)	120R0650	10
BOLT-SOCKET (Ref # 120B)	120R0665	1
GASKET,CLUTCH COVER (Ref # 11060)	11060-1926	1
COVER-CLUTCH (Ref # 14032)	14032-1403	1
CLAMP,WIRING HARNESS,L=60 (Ref # 92037)	92037-1069	1
PIN,6.2X8X14 (Ref # 92043)	92043-1263	2
BEARING-NEEDLE,HK1210 (Ref # 92046)	92046-1010	2
SEAL-OIL,TB12205.5 (Ref # 92049)	92049-1271	1
BOLT,SOCKET,6X50 (Ref # 92150)	92150-1436	1