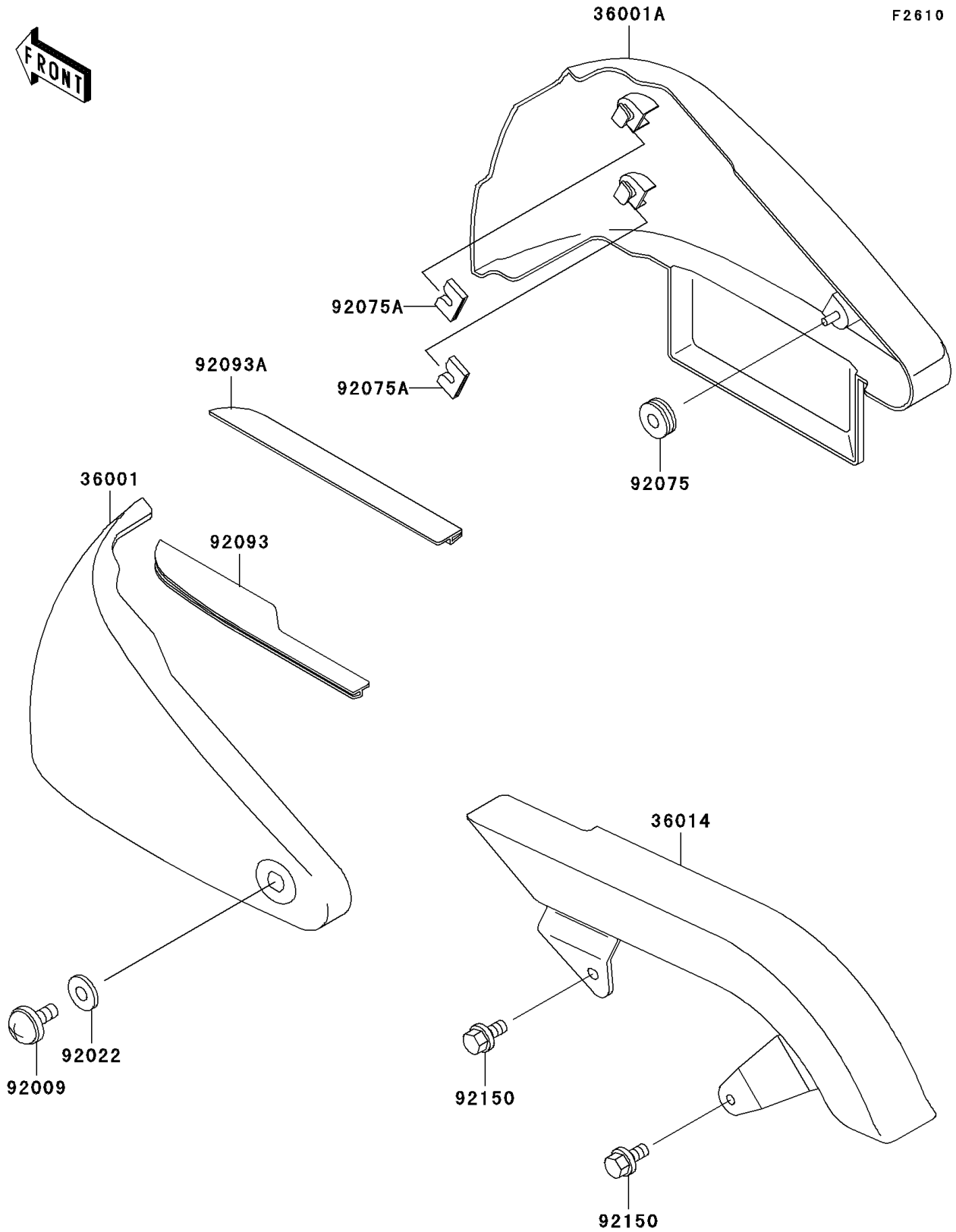


# 2000 Vulcan 800 Classic PARTS DIAGRAM

Side Covers/Chain Cover



## 2000 Vulcan 800 Classic PARTS LIST

### Side Covers/Chain Cover

| ITEM NAME                          | PART NUMBER   | QUANTITY |
|------------------------------------|---------------|----------|
| COVER-SIDE,LH,EBONY (Ref # 36001)  | 36001-1550-H8 | 1        |
| COVER-SIDE,RH,EBONY (Ref # 36001A) | 36001-1551-H8 | 1        |
| CASE-CHAIN (Ref # 36014)           | 36014-1198    | 1        |
| SCREW,6X18 (Ref # 92009)           | 92009-1663    | 1        |
| WASHER,6.5X16X1 (Ref # 92022)      | 92022-1143    | 1        |
| DAMPER (Ref # 92075)               | 92075-1629    | 1        |
| DAMPER (Ref # 92075A)              | 92075-1967    | 4        |
| SEAL,SIDE COVER,LH (Ref # 92093)   | 92093-1405    | 1        |
| SEAL,SIDE COVER,RH (Ref # 92093A)  | 92093-1406    | 1        |
| BOLT,6X14 (Ref # 92150)            | 92150-1340    | 2        |