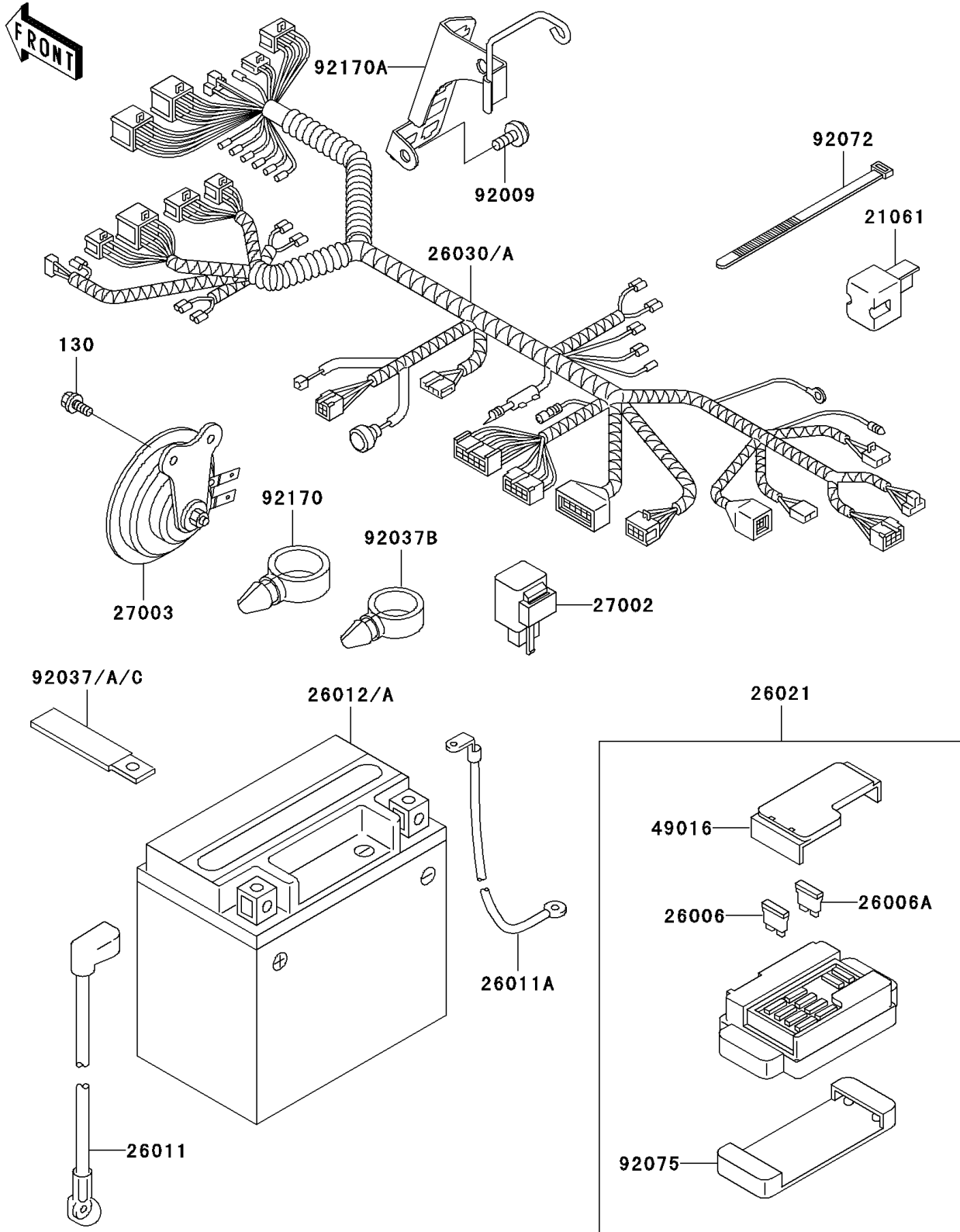


# 1996 Vulcan 800 Classic PARTS DIAGRAM

Chassis Electrical Equipment

F2760



# 1996 Vulcan 800 Classic PARTS LIST

## Chassis Electrical Equipment

| ITEM NAME                                | PART NUMBER | QUANTITY |
|--|-------------|----------|
| BOLT-FLANGED (Ref # 130)                 | 130J0612    | 2        |
| RECTIFIER (Ref # 21061)                  | 21061-1003  | 2        |
| FUSE,30A-G (Ref # 26006)                 | 26006-1067  | 1        |
| FUSE,10A-R (Ref # 26006A)                | 26006-1068  | 8        |
| WIRE-LEAD,BATTERY(+) (Ref # 26011)       | 26011-1621  | 1        |
| WIRE-LEAD,BATTERY(-) (Ref # 26011A)      | 26011-1633  | 1        |
| BATTERY,YTX14-BS,12V 12AH (Ref # 26012A) | 26012-1334  | 1        |
| JUNCTION BOX (Ref # 26021)               | 26021-1089  | 1        |
| HARNESS,MAIN (Ref # 26030)               | 26030-1439  | 1        |
| RELAY-ASSY,TURN SIGNAL (Ref # 27002)     | 27002-1101  | 1        |
| HORN,350HZ,LH (Ref # 27003)              | 27003-1239  | 1        |
| COVER-SEAL,FUSE (Ref # 49016)            | 49016-1177  | 1        |
| SCREW,6X14 (Ref # 92009)                 | 92009-1662  | 2        |
| CLAMP,WIRING HARNESS,L=60 (Ref # 92037)  | 92037-1069  | 2        |
| CLAMP,L=45 (Ref # 92037A)                | 92037-1539  | 1        |
| CLAMP,HOSE (Ref # 92037B)                | 92037-1827  | 2        |
| CLAMP (Ref # 92037C)                     | 92037-1993  | 1        |
| BAND,L=365 (Ref # 92072)                 | 92072-1197  | 6        |
| DAMPER,JUNCTION BOX (Ref # 92075)        | 92075-1688  | 1        |
| CLAMP (Ref # 92170)                      | 92170-1067  | 1        |
| CLAMP,HARNESS (Ref # 92170A)             | 92170-1570  | 1        |