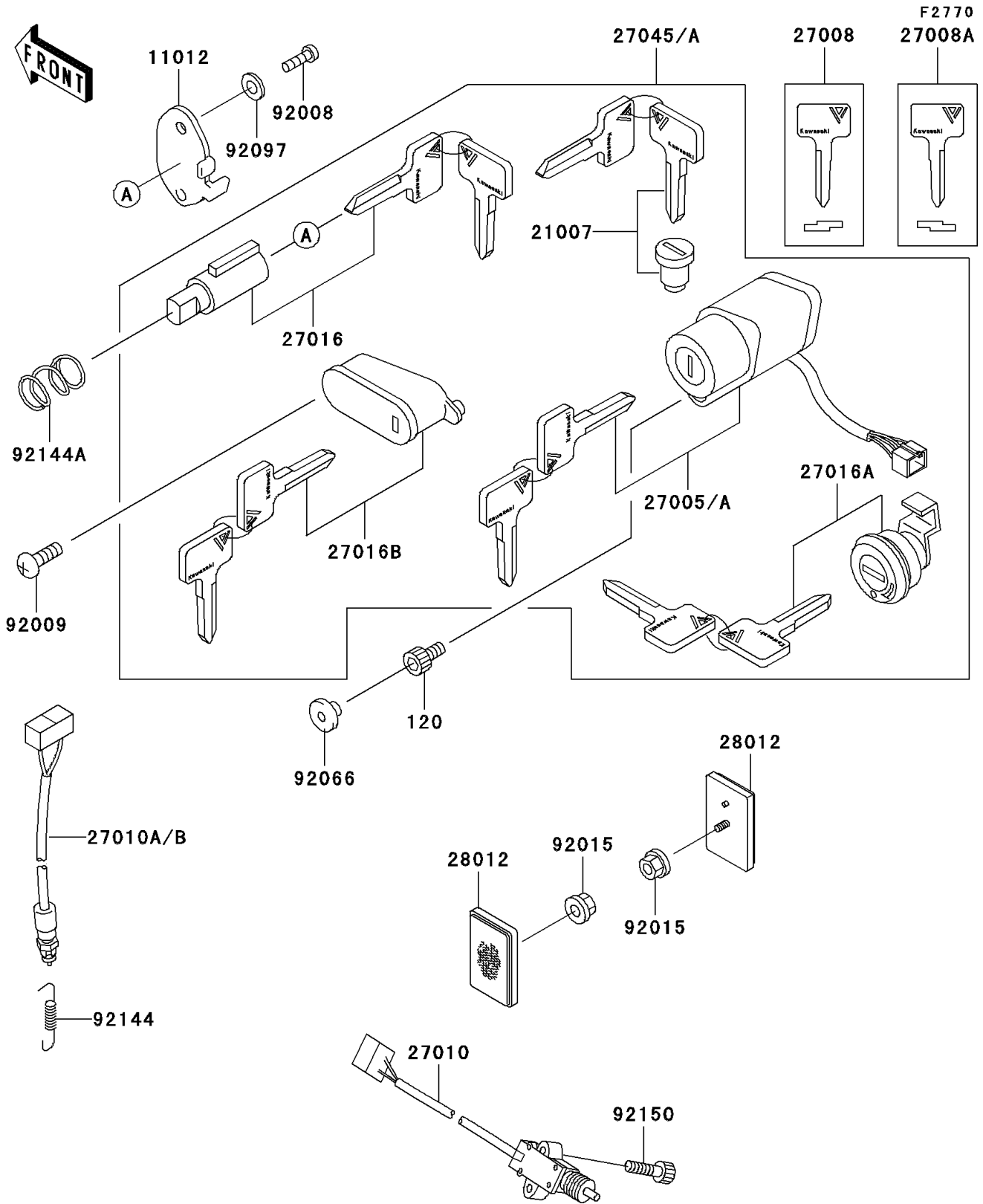


# 1998 Vulcan 800 Classic PARTS DIAGRAM

Ignition Switch/Locks/Reflectors



# 1998 Vulcan 800 Classic PARTS LIST

## Ignition Switch/Locks/Reflectors

ITEM NAME	PART NUMBER	QUANTITY
BOLT-SOCKET (Ref # 120)	120P0512	1
CAP,STEERING LOCK (Ref # 11012)	11012-1586	1
ROTOR,LOCK,TANK CAP (Ref # 21007)	21007-5024	1
SWITCH-ASSY-IGNITION (Ref # 27005A)	27005-1204	1
KEY-LOCK,BLANK,#A (Ref # 27008)	27008-1138	1
KEY-LOCK,BLANK,#B (Ref # 27008A)	27008-1139	1
SWITCH,SIDE STAND (Ref # 27010)	27010-1352	1
SWITCH,REAR BRAKE (Ref # 27010B)	27010-1370	1
LOCK-ASSY,STEERING (Ref # 27016)	27016-5131	1
LOCK-ASSY,LID (Ref # 27016A)	27016-5225	2
LOCK-ASSY,HELMET (Ref # 27016B)	27016-5226	1
SWITCH-ASSY (Ref # 27045A)	27045-5040	1
REFLECTOR-REFLEX,FR (Ref # 28012)	28012-1009	2
SCREW,3.51MM (Ref # 92008)	92008-007	1
SCREW,5X14 (Ref # 92009)	92009-1341	1
NUT,FLANGED,5MM (Ref # 92015)	92015-1656	2
PLUG (Ref # 92066)	92066-1435	1
WASHER,WAVE (Ref # 92097)	92097-003	1
SPRING,REAR BRAKE SWITCH (Ref # 92144)	92144-1141	1
SPRING,STEERING LOCK (Ref # 92144A)	92144-1222	1
BOLT,SOCKET,5X22 (Ref # 92150)	92150-1491	2