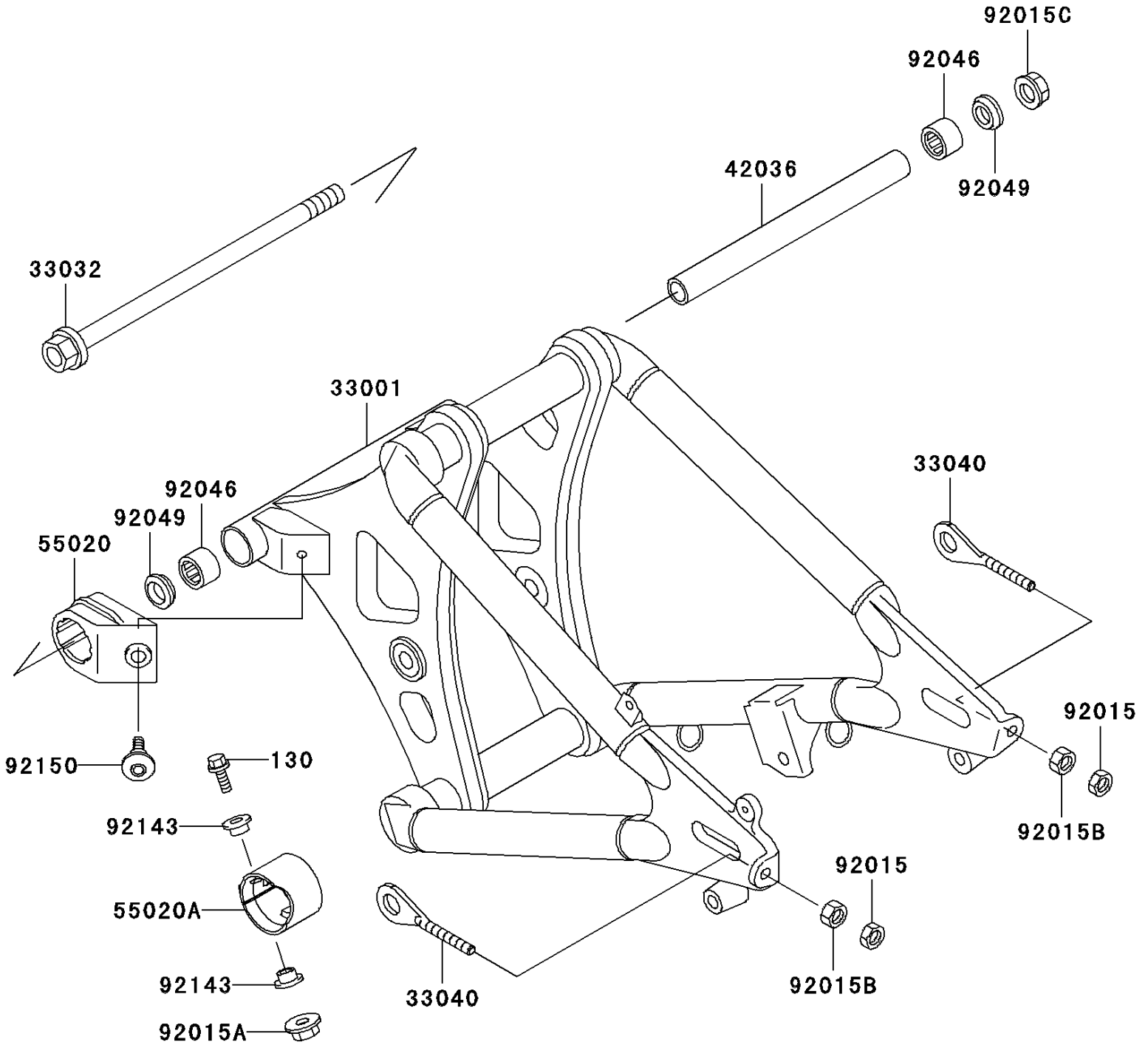


# 2005 Vulcan 800 Classic PARTS DIAGRAM

Swingarm

F2141



# 2005 Vulcan 800 Classic PARTS LIST

Swingarm

ITEM NAME	PART NUMBER	QUANTITY
-----------	-------------	----------