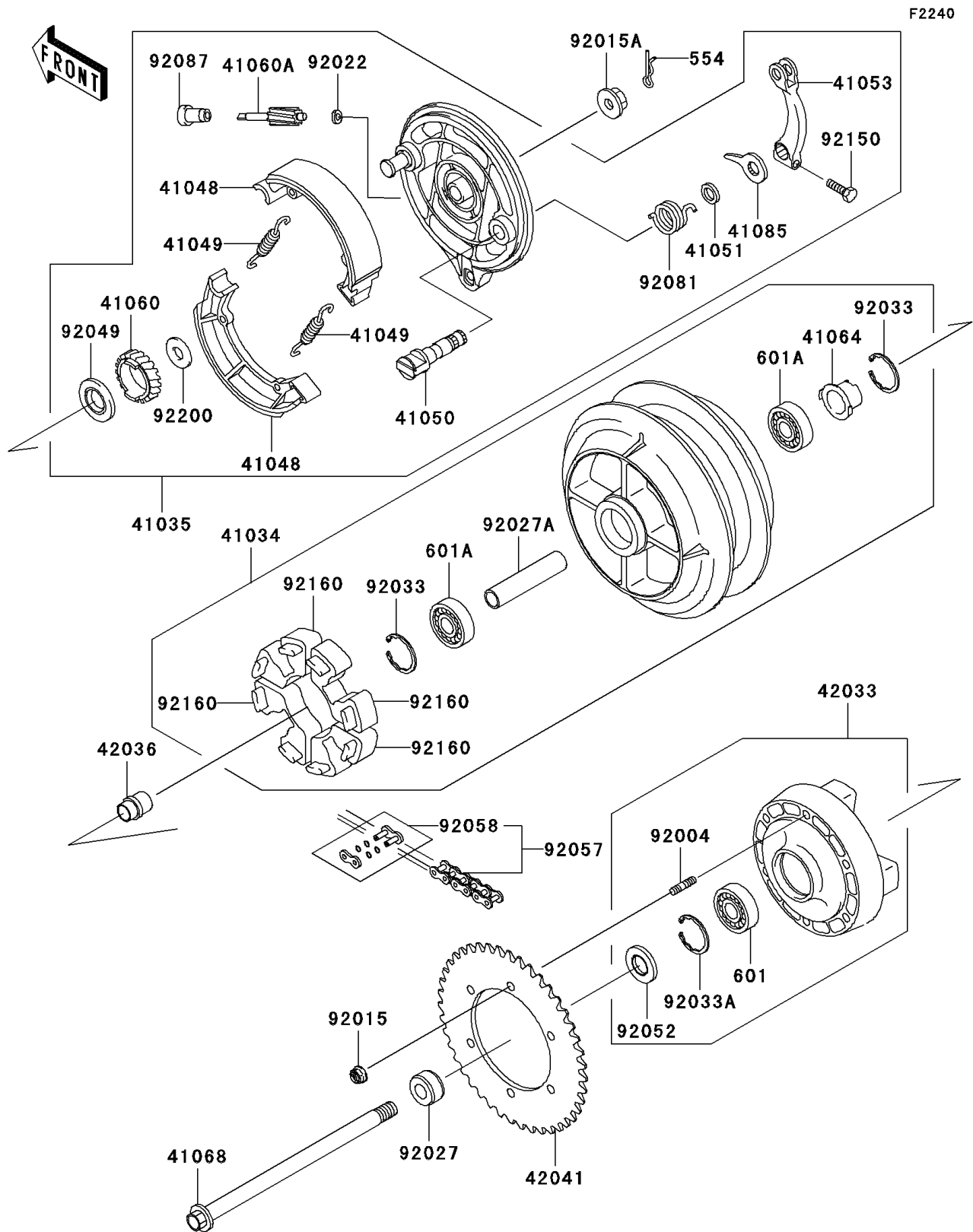


2005 Vulcan 800 Classic PARTS DIAGRAM

Rear Wheel/Chain



2005 Vulcan 800 Classic PARTS LIST

Rear Wheel/Chain

ITEM NAME	PART NUMBER	QUANTITY
-----------	-------------	----------