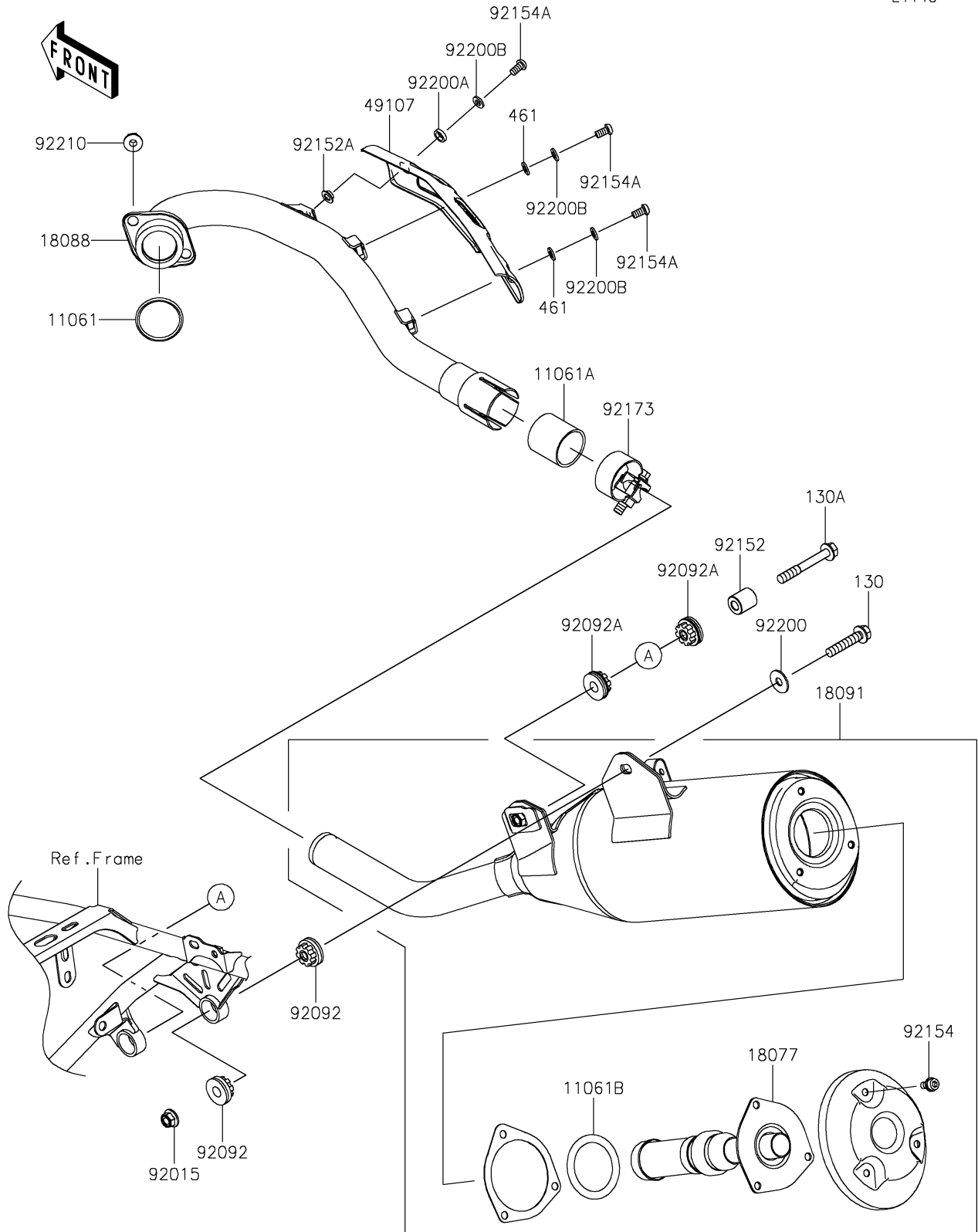


# 2021 KLX®300R PARTS DIAGRAM

Muffler(s)

E1140



## 2021 KLX®300R PARTS LIST

### Muffler(s)

ITEM NAME	PART NUMBER	QUANTITY
GASKET,EX PIPE (Ref # 11061)	11061-0027	1
GASKET,EXHAUST PIPE CONNECTING (Ref # 11061A)	11061-1055	1
GASKET (Ref # 11061B)	11061-1345	1
ARRESTER-SPARK (Ref # 18077)	18077-0049	1
PIPE-EXHAUST (Ref # 18088)	18088-1475	1
BODY-COMP-MUFFLER (Ref # 18091)	18091-1165	1
COVER-EXHAUST PIPE (Ref # 49107)	49107-0826	1
NUT,8MM (Ref # 92015)	92015-1432	1
BUSHING-RUBBER (Ref # 92092)	92092-0018	2
BUSHING-RUBBER (Ref # 92092A)	92092-0040	2
COLLAR,8.5X18X20 (Ref # 92152)	92152-2425	1
COLLAR,6.2X8.5X13 (Ref # 92152A)	92152-2662	1
BOLT (Ref # 92154)	92154-4083	3
BOLT,SOCKET,6X11.5 (Ref # 92154A)	92154-4087	3
CLAMP,38MM (Ref # 92173)	92173-0997	1
WASHER,8.0X22.0X1.5 (Ref # 92200)	92200-0174	1
WASHER,8.8X12.5X3 (Ref # 92200A)	92200-2306	1
WASHER,6.2X12X1.6 (Ref # 92200B)	92200-2320	3
NUT,8MM (Ref # 92210)	92210-0076	2
BOLT-FLANGED,8X40 (Ref # 130)	130CA0840	1
BOLT-FLANGED,8X60 (Ref # 130A)	130CA0860	1
WASHER-SPRING,6MM (Ref # 461)	461S0600	2