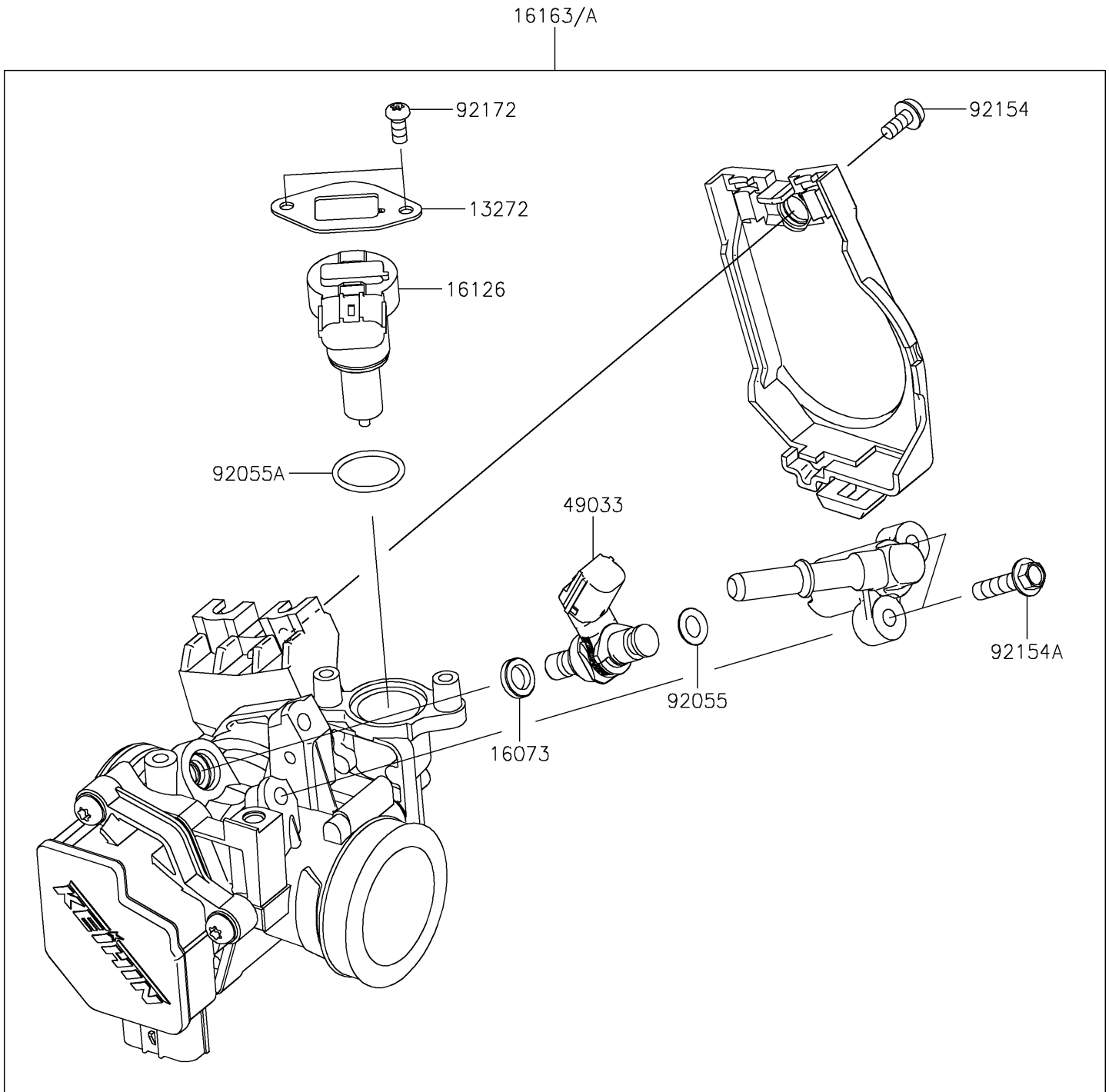


2021 KLX® 300R PARTS DIAGRAM

Throttle

E1510



2021 KLX®300R PARTS LIST

Throttle

| ITEM NAME | PART NUMBER | QUANTITY |
|----------------------------------|-------------|----------|
| PLATE (Ref # 13272) | 13272-1862 | 1 |
| INSULATOR (Ref # 16073) | 16073-0821 | 1 |
| VALVE,ISC (Ref # 16126) | 16126-0729 | 1 |
| THROTTLE-ASSY (Ref # 16163) | 16163-0985 | 1 |
| THROTTLE-ASSY (Ref # 16163A) | 16163-1143 | 1 |
| NOZZLE-INJECTION (Ref # 49033) | 49033-0566 | 1 |
| RING-O,6.3X2.2 (Ref # 92055) | 92055-0821 | 1 |
| RING-O (Ref # 92055A) | 92055-0826 | 1 |
| BOLT (Ref # 92154) | 92154-0133 | 1 |
| BOLT,FLANGED,5X20 (Ref # 92154A) | 92154-1559 | 2 |
| SCREW,TORX (Ref # 92172) | 92172-0903 | 2 |