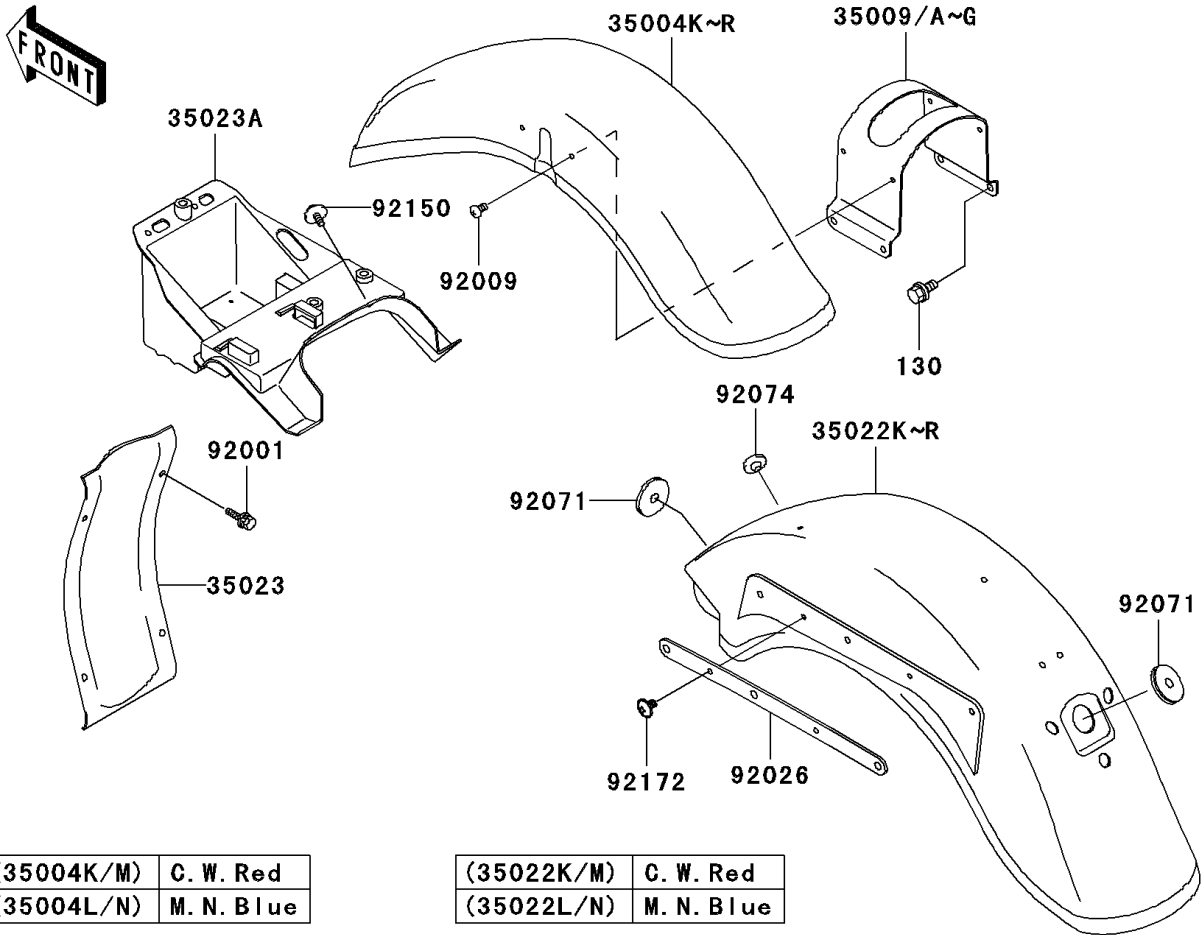


2001 Vulcan 800 Classic PARTS DIAGRAM

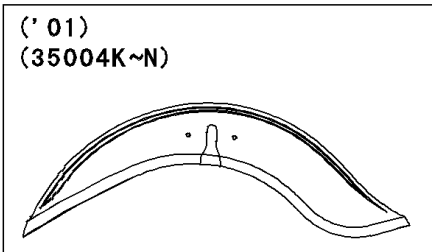
Fenders(4/4)(VN800-B6/B7)

F2170

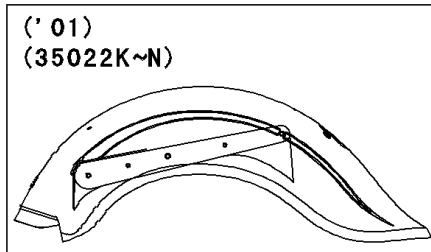


(35004K/M)	C. W. Red
(35004L/N)	M. N. Blue

(35022K/M)	C. W. Red
(35022L/N)	M. N. Blue



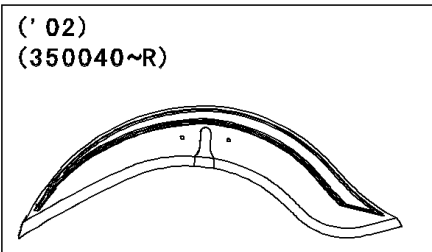
WD



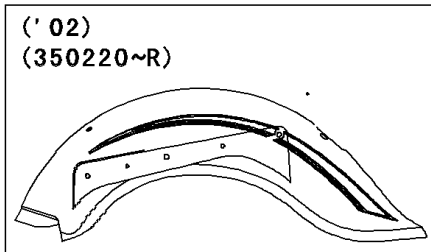
WD

(350040/Q)	C. C. Red
(35004P/R)	Violet

(350220/Q)	C. C. Red
(35022P/R)	Violet



WD



WD

2001 Vulcan 800 Classic PARTS LIST

Fenders(4/4)(VN800-B6/B7)

ITEM NAME	PART NUMBER	QUANTITY
FENDER-REAR (Ref # 35023)	35023-1417	1
FENDER-REAR,FR (Ref # 35023A)	35023-1574	1
BOLT,6X20 (Ref # 92001)	92001-1765	4
SCREW,6X12 (Ref # 92009)	92009-1744	4
SPACER,RR FENDER (Ref # 92026)	92026-1476	2
BOLT-FLANGED,8X14 (Ref # 130)	130J0814	4
GROMMET (Ref # 92071)	92071-1228	2
PLUG,7X2 (Ref # 92074)	92074-028	1
BOLT,6X14 (Ref # 92150)	92150-1133	2
SCREW,6X10 (Ref # 92172)	92172-0005	4
FENDER-FRONT,C.W.RED (Ref # 35004K)	35004-5190-TF	1
FENDER-FRONT,M.N.BLUE (Ref # 35004L)	35004-5191-TK	1
FENDER-FRONT,C.W.RED (Ref # 35004M)	35004-5193-H3	1
FENDER-FRONT,M.N.BLUE (Ref # 35004N)	35004-5194-C6	1
BRACE,FRONT FENDER,M.N.BLUE (Ref # 35009)	35009-1111-C6	1
BRACE,FRONT FENDER,C.W.RED (Ref # 35009A)	35009-1111-H3	1
BRACE,FRONT FENDER,C.W.RED (Ref # 35009B)	35009-1111-TF	1
BRACE,FRONT FENDER,M.N.BLUE (Ref # 35009C)	35009-1111-TK	1
FENDER-COMP-REAR,RR,C.W.RED (Ref # 35022K)	35022-5092-TF	1
FENDER-COMP-REAR,RR,M.N.BLUE (Ref # 35022L)	35022-5093-TK	1
FENDER-COMP-REAR,C.W.RED (Ref # 35022M)	35022-5100-H3	1
FENDER-COMP-REAR,M.N.BLUE (Ref # 35022N)	35022-5101-C6	1