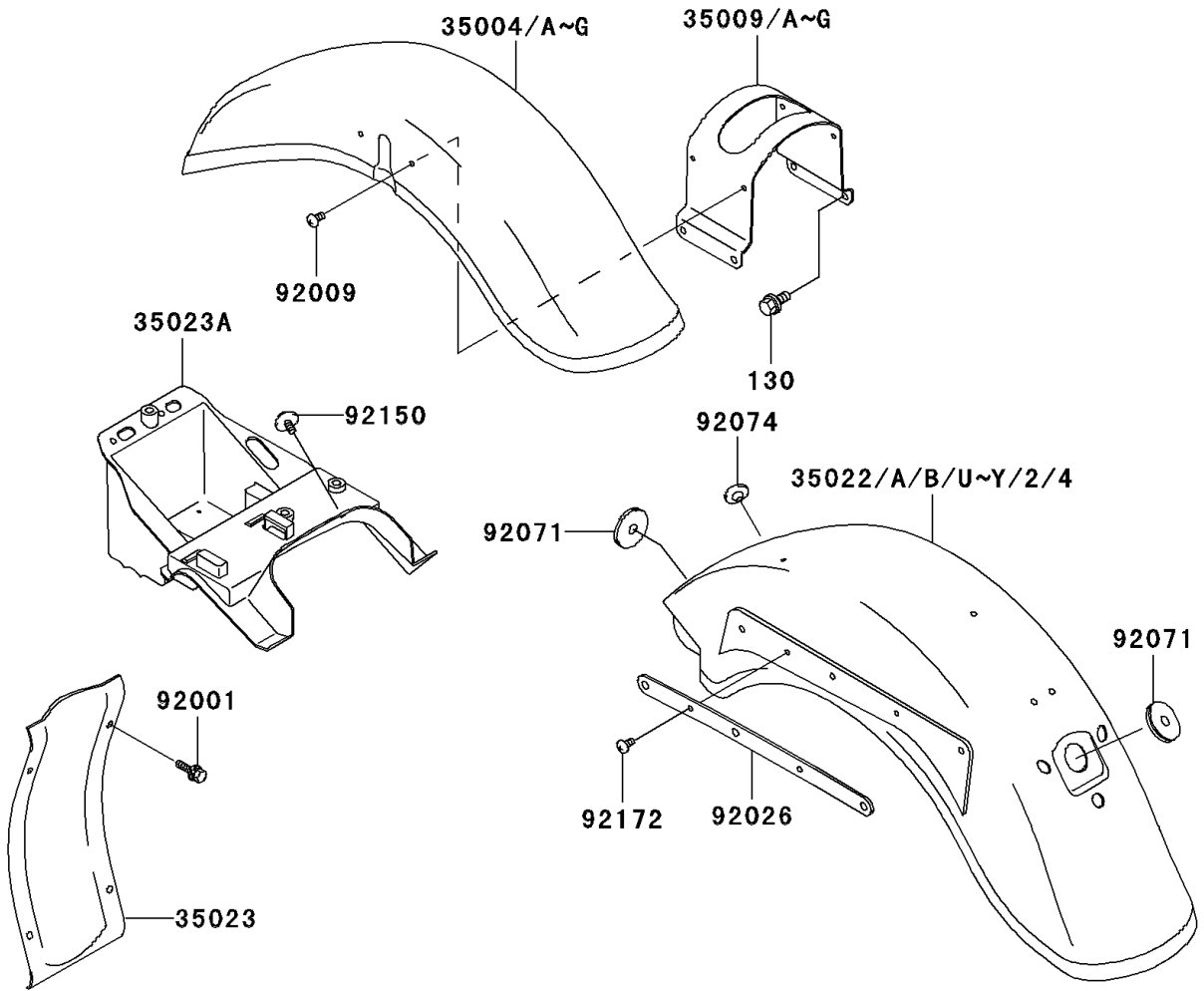


2003 Vulcan 800 Classic PARTS DIAGRAM

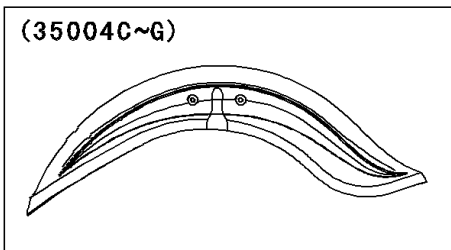
Fenders(4/4)(VN800-B8/B9)

F2170A

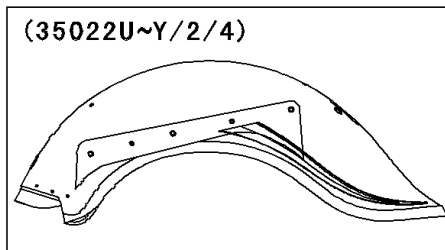


(35004C/E)	Black
(35004D/G)	Red
(35004F)	Silver

(35022U/W/2)	Black
(35022V/X)	Red
(35022Y/4)	Silver



WD



WD

2003 Vulcan 800 Classic PARTS LIST

Fenders(4/4)(VN800-B8/B9)

ITEM NAME	PART NUMBER	QUANTITY
BOLT-FLANGED,8X14 (Ref # 130)	130J0814	4
FENDER-REAR (Ref # 35023)	35023-1417	1
FENDER-REAR,FR (Ref # 35023A)	35023-1574	1
BOLT,6X20 (Ref # 92001)	92001-1765	4
SCREW,6X12 (Ref # 92009)	92009-1744	4
SPACER,RR FENDER (Ref # 92026)	92026-1476	2
GROMMET (Ref # 92071)	92071-1228	2
PLUG,7X2 (Ref # 92074)	92074-028	1
BOLT,6X14 (Ref # 92150)	92150-1133	2
SCREW,6X10 (Ref # 92172)	92172-0005	4
FENDER-FRONT,P.M.BLACK (Ref # 35004C)	35004-5231-373	1
FENDER-FRONT,M.R.RED (Ref # 35004D)	35004-5232-369	1
FENDER-FRONT,P.M.BLACK (Ref # 35004E)	35004-5233-218	1
FENDER-FRONT,M.P.SILVER (Ref # 35004F)	35004-5234-GU	1
FENDER-FRONT,M.R.RED (Ref # 35004G)	35004-5235-468	1
BRACE,FRONT FENDER,M.P.SILVER (Ref # 35009A)	35009-1142-GU	1
BRACE,FRONT FENDER,P.M.BLACK (Ref # 35009C)	35009-1142-218	1
BRACE,FRONT FENDER,M.R.RED (Ref # 35009E)	35009-1142-369	1
BRACE,FRONT FENDER,P.M.BLACK (Ref # 35009F)	35009-1142-373	1
BRACE,FRONT FENDER,M.R.RED (Ref # 35009G)	35009-1142-468	1
FENDER-COMP-REAR,P.M.BLACK (Ref # 35022U)	35022-5132-373	1
FENDER-COMP-REAR,M.R.RED (Ref # 35022V)	35022-5133-369	1
FENDER-COMP-REAR,RR,P.M.BLACK (Ref # 35022W)	35022-5137-218	1
FENDER-COMP-REAR,RR,M.R.RED (Ref # 35022X)	35022-5138-468	1
FENDER-COMP-REAR,RR,M.P.SILVER (Ref # 35022Y)	35022-5139-GU	1