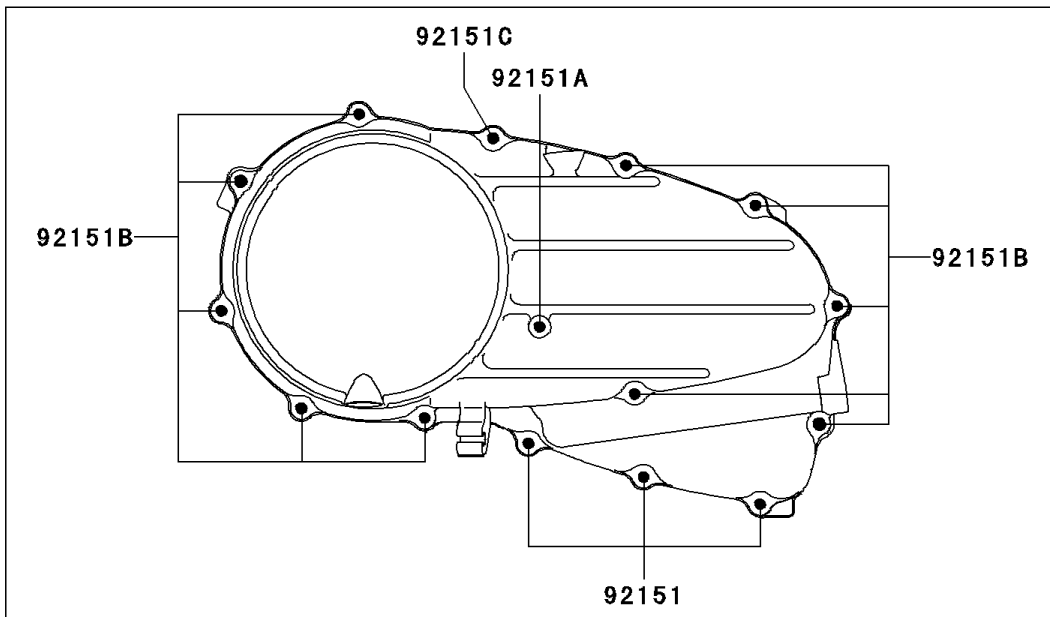
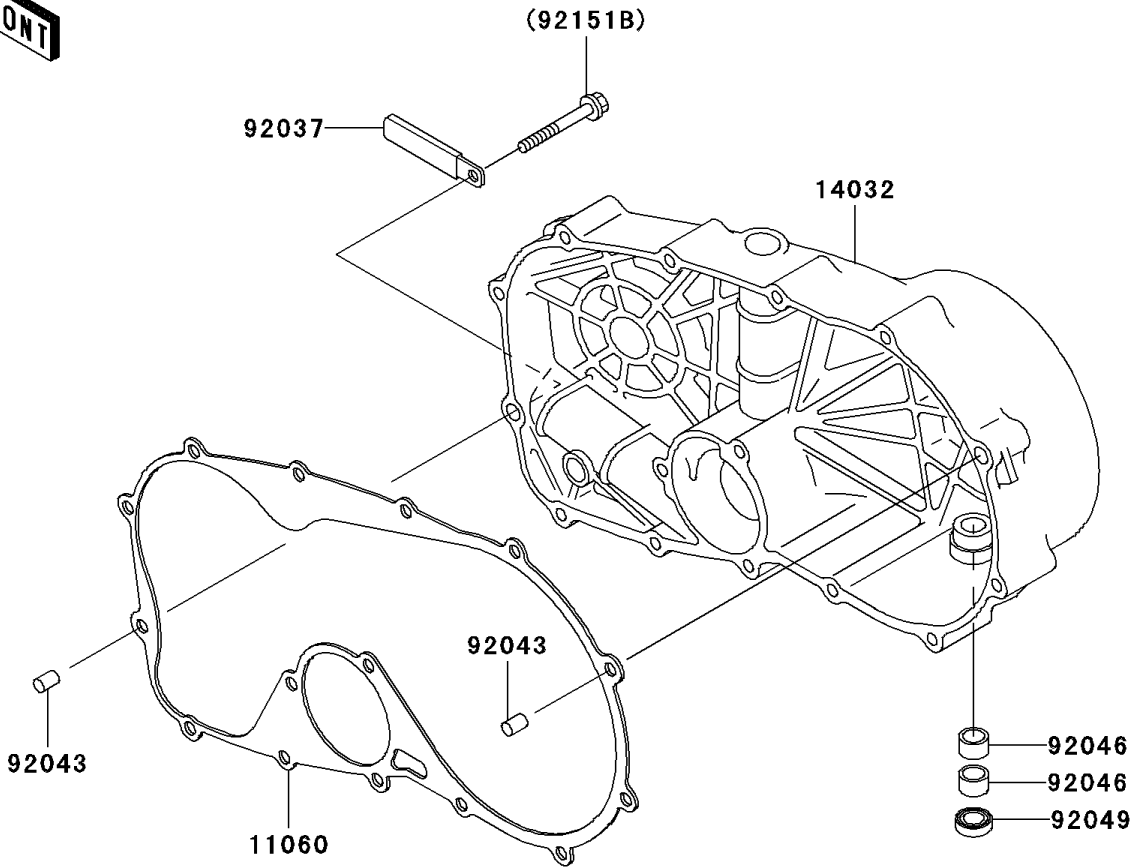


2000 Vulcan 800 Drifter PARTS DIAGRAM

Right Engine Cover(s)

E1436



2000 Vulcan 800 Drifter PARTS LIST

Right Engine Cover(s)

ITEM NAME	PART NUMBER	QUANTITY
GASKET,CLUTCH COVER (Ref # 11060)	11060-1926	1
COVER-CLUTCH (Ref # 14032)	14032-1489	1
CLAMP,WIRING HARNESS,L=60 (Ref # 92037)	92037-1069	1
PIN,6.2X8X14 (Ref # 92043)	92043-1263	2
BEARING-NEEDLE,HK1210 (Ref # 92046)	92046-1010	2
SEAL-OIL,TB12205.5 (Ref # 92049)	92049-1271	1
BOLT,6X30 (Ref # 92151)	92151-1134	3
BOLT,6X65 (Ref # 92151A)	92151-1199	1
BOLT,6X50 (Ref # 92151B)	92151-1234	10
BOLT,6X50 (Ref # 92151C)	92151-1426	1