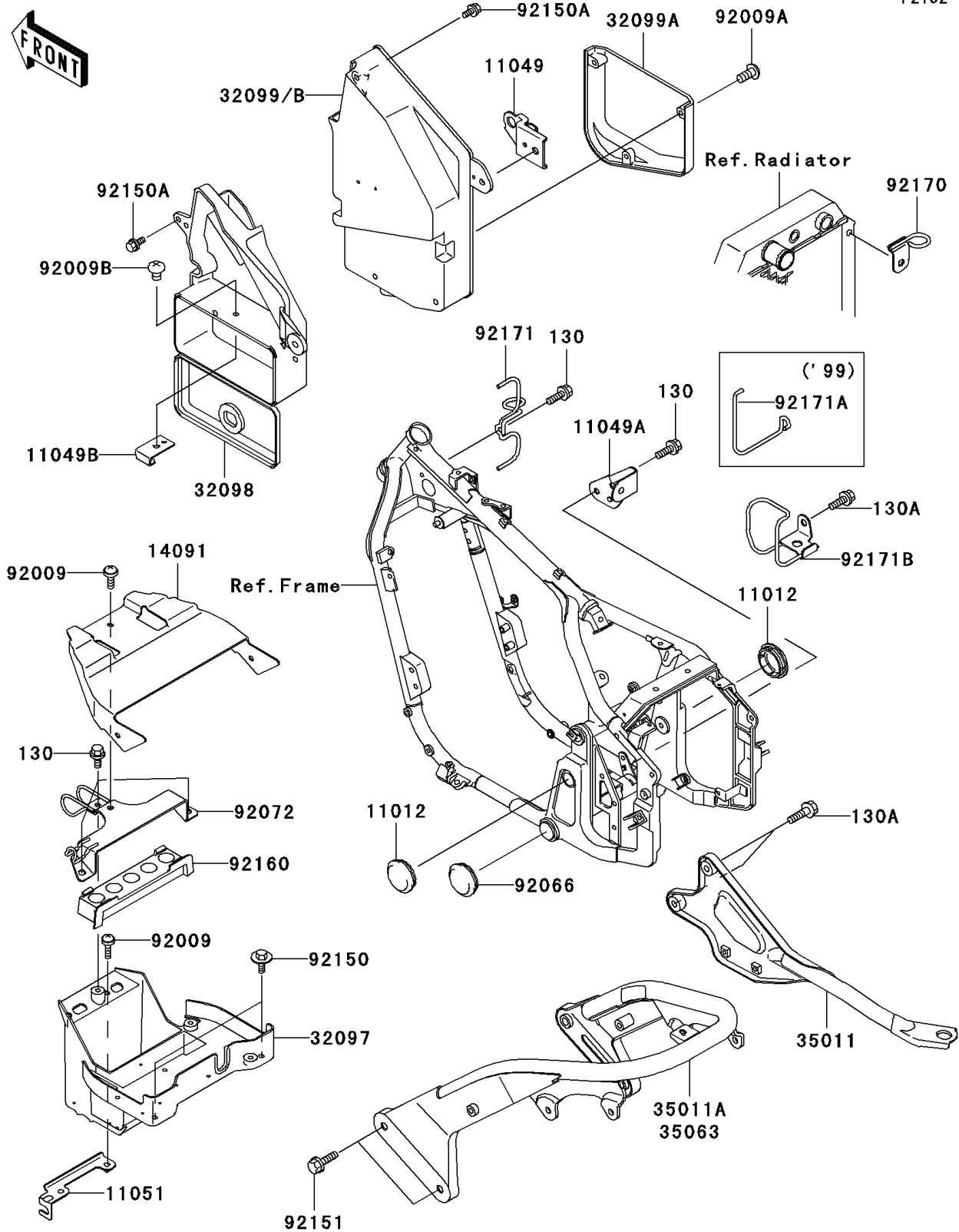


1999 Vulcan 800 Drifter (Canada Only) PARTS DIAGRAM

Battery Case

F2132



1999 Vulcan 800 Drifter (Canada Only) PARTS LIST

Battery Case

ITEM NAME	PART NUMBER	QUANTITY
BOLT-FLANGED (Ref # 130)	130J0612	5
BOLT-FLANGED,8X25,BLACK (Ref # 130A)	130J0825	3
CAP (Ref # 11012)	11012-1926	2
BRACKET,SIDE COVER LOCK (Ref # 11049)	11049-1183	1
BRACKET,RESERVOIR TANK (Ref # 11049A)	11049-1233	1
BRACKET,TOOL CASE LOCK (Ref # 11049B)	11049-1266	1
BRACKET,STARTER CABLE (Ref # 11051)	11051-1328	1
COVER,ELECTRIC (Ref # 14091)	14091-1060	1
CASE-BATTERY (Ref # 32097)	32097-1176	1
CASE-TOOL (Ref # 32098)	32098-1106	1
CASE (Ref # 32099A)	32099-1164	1
CASE,BASE (Ref # 32099B)	32099-1167	1
STAY,MUFFLER (Ref # 35011)	35011-1972	1
STAY,SEAT (Ref # 35011A)	35011-1973	1
SCREW,6X10 (Ref # 92009)	92009-1402	5
SCREW,TAPPING,5X14 (Ref # 92009A)	92009-1635	3
SCREW,5X14 (Ref # 92009B)	92009-1653	1
PLUG (Ref # 92066)	92066-1434	1
BAND,BATTERY (Ref # 92072)	92072-1366	1
BOLT,6X14 (Ref # 92150)	92150-1133	2
BOLT,FLANGED,6X14 (Ref # 92150A)	92150-1689	7
BOLT,FLANGED,10X30 (Ref # 92151)	92151-1442	4
DAMPER,BATTERY BAND (Ref # 92160)	92160-1634	1
CLAMP,CABLE (Ref # 92170)	92170-1608	1
CLAMP,HARNESS&CABLE (Ref # 92171)	92171-1074	1
CLAMP,BRAKE HOSE (Ref # 92171A)	92171-1103	1