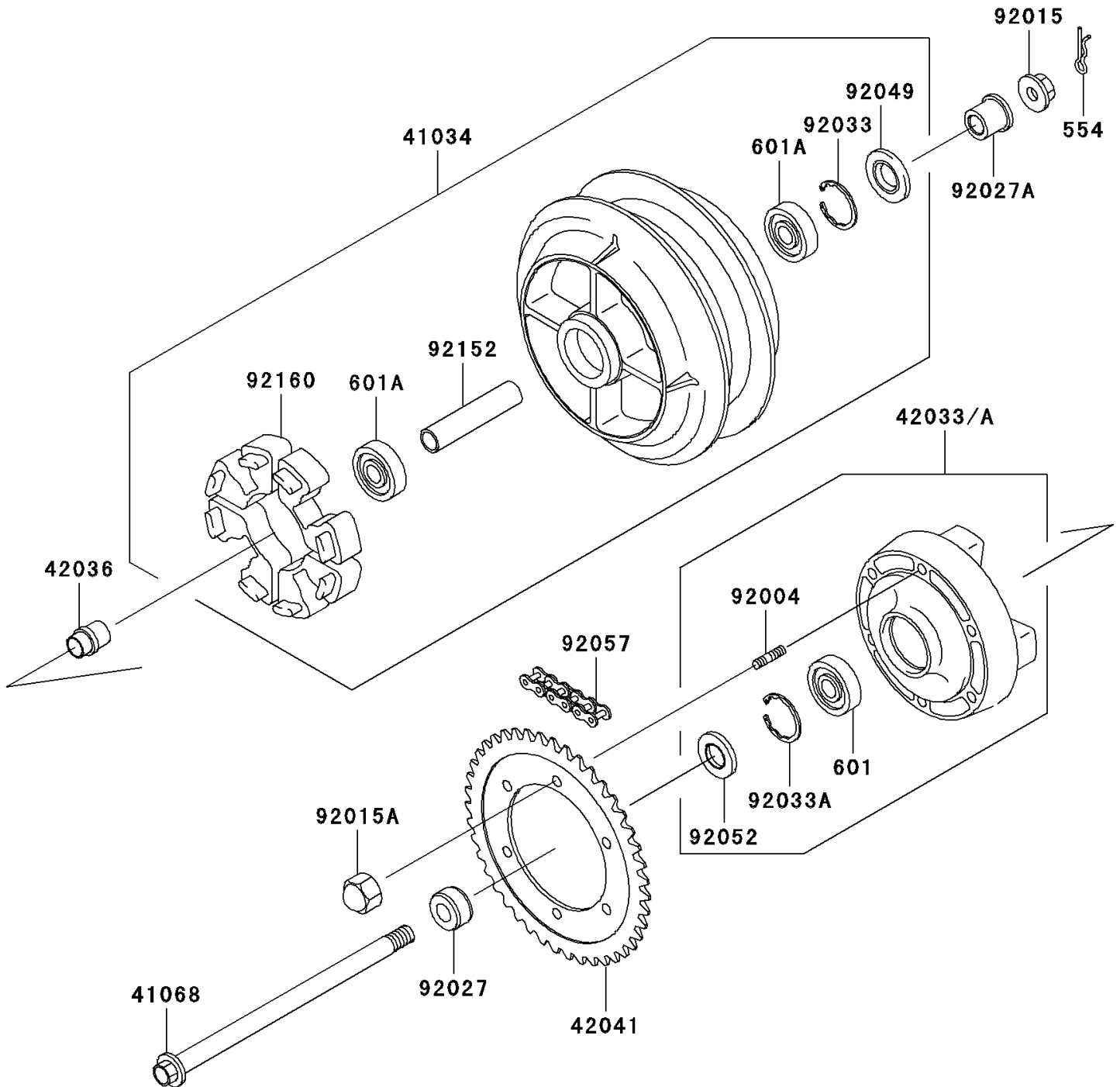


1999 Vulcan 800 Drifter (Canada Only) PARTS DIAGRAM

Rear Wheel/Chain

F2240



1999 Vulcan 800 Drifter (Canada Only) PARTS LIST

Rear Wheel/Chain

ITEM NAME	PART NUMBER	QUANTITY
PIN-SNAP,10MM (Ref # 554)	554A1000	1
BEARING-BALL,#6205UG (Ref # 601)	601B6205UG	1
BEARING-BALL,#6303UUC3 (Ref # 601A)	601B6303UU	2
DRUM-ASSY,REAR BRAKE (Ref # 41034)	41034-1299	1
AXLE,RR (Ref # 41068)	41068-1365	1
COUPLING-ASSY,RR HUB (Ref # 42033)	42033-1180	1
SLEEVE,RR HUB,L=33 (Ref # 42036)	42036-1146	1
SPROCKET-HUB,40T (Ref # 42041)	42041-1519	1
STUD,10X19.5 (Ref # 92004)	92004-1151	6
NUT,FLANGED,16MM (Ref # 92015)	92015-1946	1
NUT,CAP,10MM (Ref # 92015A)	92015-1961	6
COLLAR,REAR AXLE,LH,L=18.5 (Ref # 92027)	92027-1321	1
COLLAR,RR AXLE,L=28 (Ref # 92027A)	92027-1875	1
RING-SNAP,47MM (Ref # 92033)	92033-1042	1
RING-SNAP,52MM (Ref # 92033A)	92033-1043	1
SEAL-OIL,BJN28475 (Ref # 92049)	92049-1056	1
SEAL-OIL,TWC35527 (Ref # 92052)	92052-006	1
CHAIN,DRIVE,EK50MV-OX112L (Ref # 92057)	92057-1284	1
COLLAR,RR HUB,L=101 (Ref # 92152)	92152-1117	1
DAMPER,SHOCK,RR HUB (Ref # 92160)	92160-1697	4