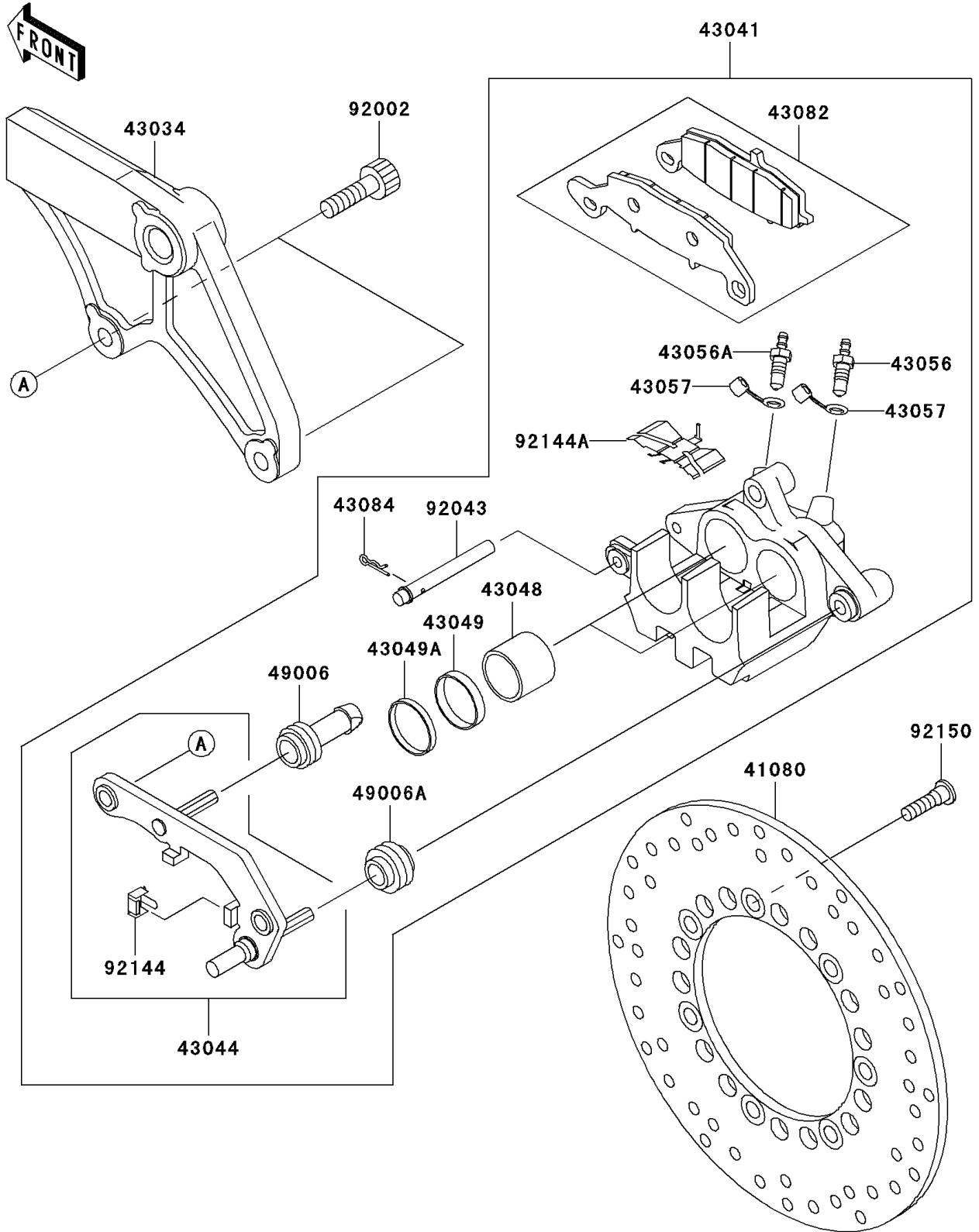


# 1999 Vulcan 800 Drifter (Canada Only) PARTS DIAGRAM

Rear Brake

F2294



## 1999 Vulcan 800 Drifter (Canada Only) PARTS LIST

### Rear Brake

ITEM NAME	PART NUMBER	QUANTITY
DISC,RR,SILVER (Ref # 41080)	41080-1459-CM	1
HOLDER-BRAKE,REAR CALIPER (Ref # 43034)	43034-1153	1
CALIPER-ASSY,RR,SILVER (Ref # 43041)	43041-1680-GN	1
HOLDER-COMP-CALIPER,RR (Ref # 43044)	43044-1125	1
PISTON-CALIPER (Ref # 43048)	43048-1073	2
PACKING (Ref # 43049)	43049-1067	2
PACKING (Ref # 43049A)	43049-1068	2
BREATHER (Ref # 43056)	43056-003	1
BREATHER-BRAKE (Ref # 43056A)	43056-1054	1
CAP-BREATHER (Ref # 43057)	43057-003	2
PAD-ASSY-BRAKE (Ref # 43082)	43082-1237	1
CLAMP,PAD (Ref # 43084)	43084-003	1
BOOT,CALIPER (Ref # 49006)	49006-1054	1
BOOT,CALIPER (Ref # 49006A)	49006-1095	1
BOLT,SOCKET,10X17 (Ref # 92002)	92002-1713	2
PIN,PAD (Ref # 92043)	92043-1489	1
SPRING,STOPPER (Ref # 92144)	92144-1831	1
SPRING,PAD,RH (Ref # 92144A)	92144-1844	1
BOLT,SOCKET,8X30 (Ref # 92150)	92150-1771	7