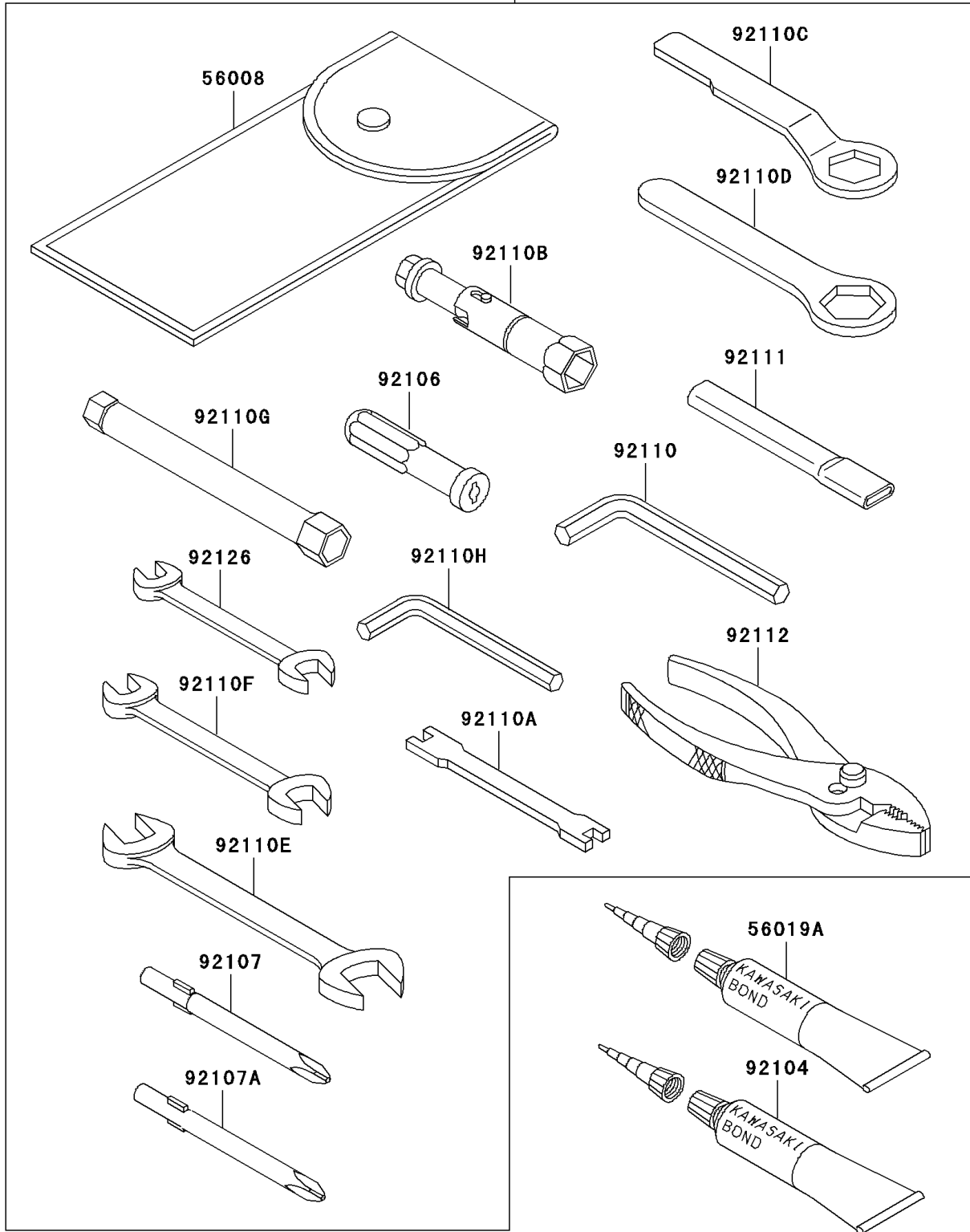


# 2000 Vulcan 800 Drifter PARTS DIAGRAM

Owner's Tools

56007

F2810



## 2000 Vulcan 800 Drifter PARTS LIST

### Owner's Tools

ITEM NAME	PART NUMBER	QUANTITY
TOOL-KIT (Ref # 56007)	56007-1424	1
BAG,TOOL (Ref # 56008)	56008-1075	1
THREE BOND TB1211,HT/RS,WHITE (Ref # 56019A)	56019-120	1
GASKET-LIQUID,TUBE,100G,BLACK (Ref # 92104)	92104-1003	1
GRIP-SCREW DRIVER (Ref # 92106)	92106-1001	1
TOOL-DRIVER,#3PHILLIPS (Ref # 92107)	92107-005	1
TOOL-DRIVER,#2PHILLIPS (Ref # 92107A)	92107-1053	1
TOOL-WRENCH,ALLEN,5MM (Ref # 92110)	92110-1015	1
TOOL-WRENCH,SPOKE (Ref # 92110A)	92110-1016	1
TOOL-WRENCH,BOX,16MM (Ref # 92110B)	92110-1132	1
TOOL-WRENCH,BOX END,22MM (Ref # 92110C)	92110-1148	1
TOOL-WRENCH,BOX END,19MM (Ref # 92110D)	92110-1151	1
TOOL-WRENCH,OPEN END,10X12 (Ref # 92110E)	92110-1152	1
TOOL-WRENCH,OPEN END,14X17 (Ref # 92110F)	92110-1153	1
TOOL-WRENCH,BOX,12MM (Ref # 92110G)	92110-1201	1
TOOL-WRENCH,ALLEN,4MM (Ref # 92110H)	92110-3703	1
TOOL-BAR,BOX END WRENCH (Ref # 92111)	92111-1051	1
TOOL-PLIERS (Ref # 92112)	92112-1001	1
TOOL-WRENCH,OPEN END,8X10 (Ref # 92126)	92126-004	1