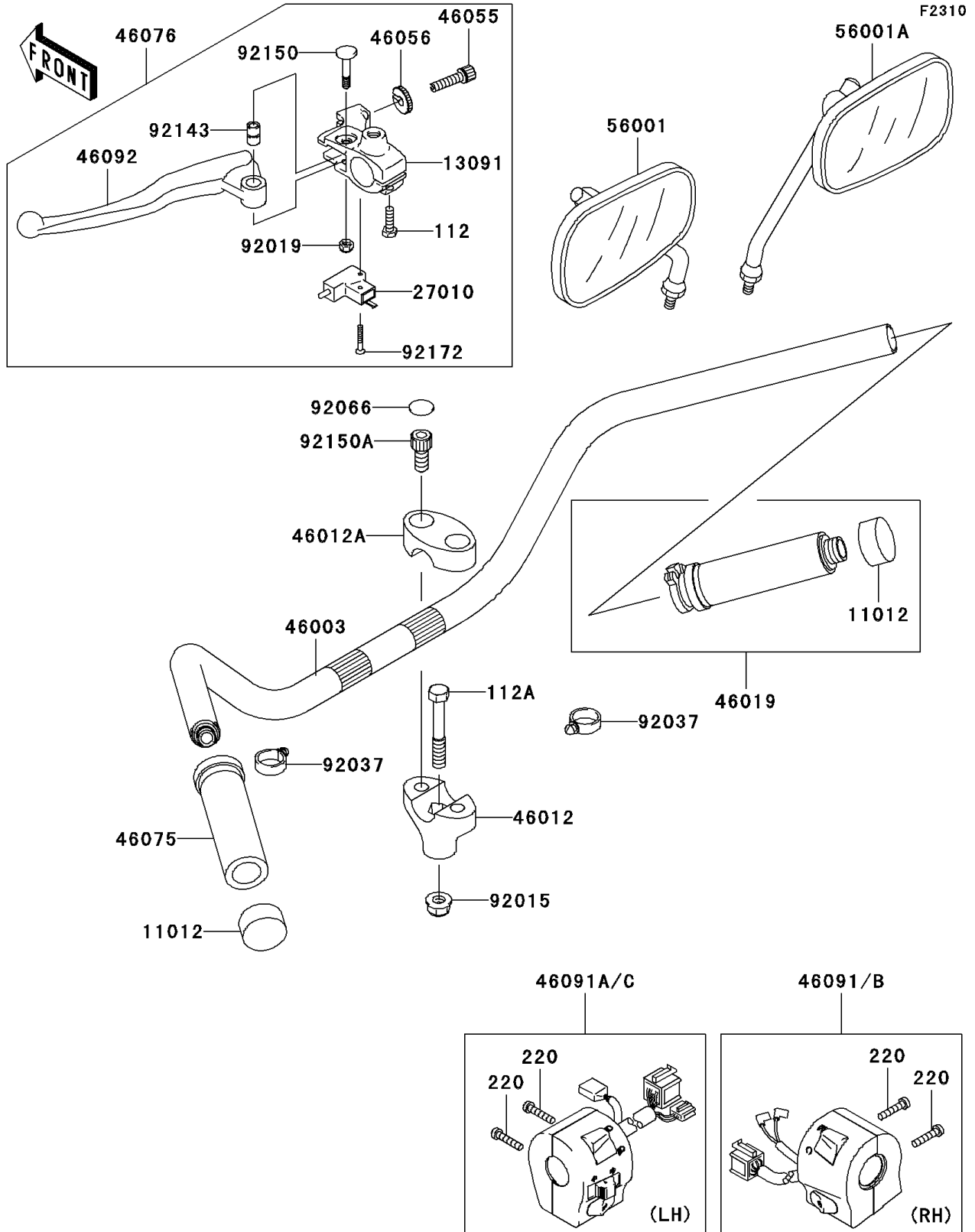


2004 Vulcan 800 Drifter PARTS DIAGRAM

Handlebar



2004 Vulcan 800 Drifter PARTS LIST

Handlebar

ITEM NAME	PART NUMBER	QUANTITY
BOLT-UPSET (Ref # 112)	112G0620	1
BOLT-UPSET,10X65 (Ref # 112A)	112H1065	2
SCREW-PAN-CROSS,5X25 (Ref # 220)	220R0525	4
CAP,GRIP END (Ref # 11012)	11012-1975	2
HOLDER,CLUTCH LEVER,SILVER (Ref # 13091)	13091-1671	1
SWITCH,CLUTCH (Ref # 27010)	27010-1268	1
HANDLE (Ref # 46003)	46003-1558	1
HOLDER-HANDLE,LWR (Ref # 46012)	46012-1272	2
HOLDER-HANDLE,UPP (Ref # 46012A)	46012-1273	2
GRIP-ASSY,THROTTLE (Ref # 46019)	46019-1109	1
SCREW,CABLE ADJUST,8MM (Ref # 46055)	46055-003	1
NUT,CABLE ADJUST LOCK,8MM (Ref # 46056)	46056-005	1
GRIP,LH (Ref # 46075)	46075-1074	1
LEVER-ASSY-GRIP,CLUTCH (Ref # 46076)	46076-1237	1
HOUSING-ASSY-CONTROL,RH (Ref # 46091)	46091-0016	1
HOUSING-ASSY-CONTROL,LH (Ref # 46091A)	46091-0029	1
LEVER-GRIP,CLUCTH (Ref # 46092)	46092-1204	1
MIRROR-ASSY,LH (Ref # 56001)	56001-1451	1
MIRROR-ASSY,RH (Ref # 56001A)	56001-1452	1
NUT,LOCK,FLANGED,10MM (Ref # 92015)	92015-1717	2
NUT,LOCK,6MM (Ref # 92019)	92019-008	1
CLAMP,HOSE (Ref # 92037)	92037-1827	2
PLUG (Ref # 92066)	92066-1285	4
COLLAR (Ref # 92143)	92143-1351	1
BOLT,LEVER SET (Ref # 92150)	92150-1330	1
BOLT,SOCKET,10X23 (Ref # 92150A)	92150-1942	4
SCREW,3X20 (Ref # 92172)	92172-0164	1