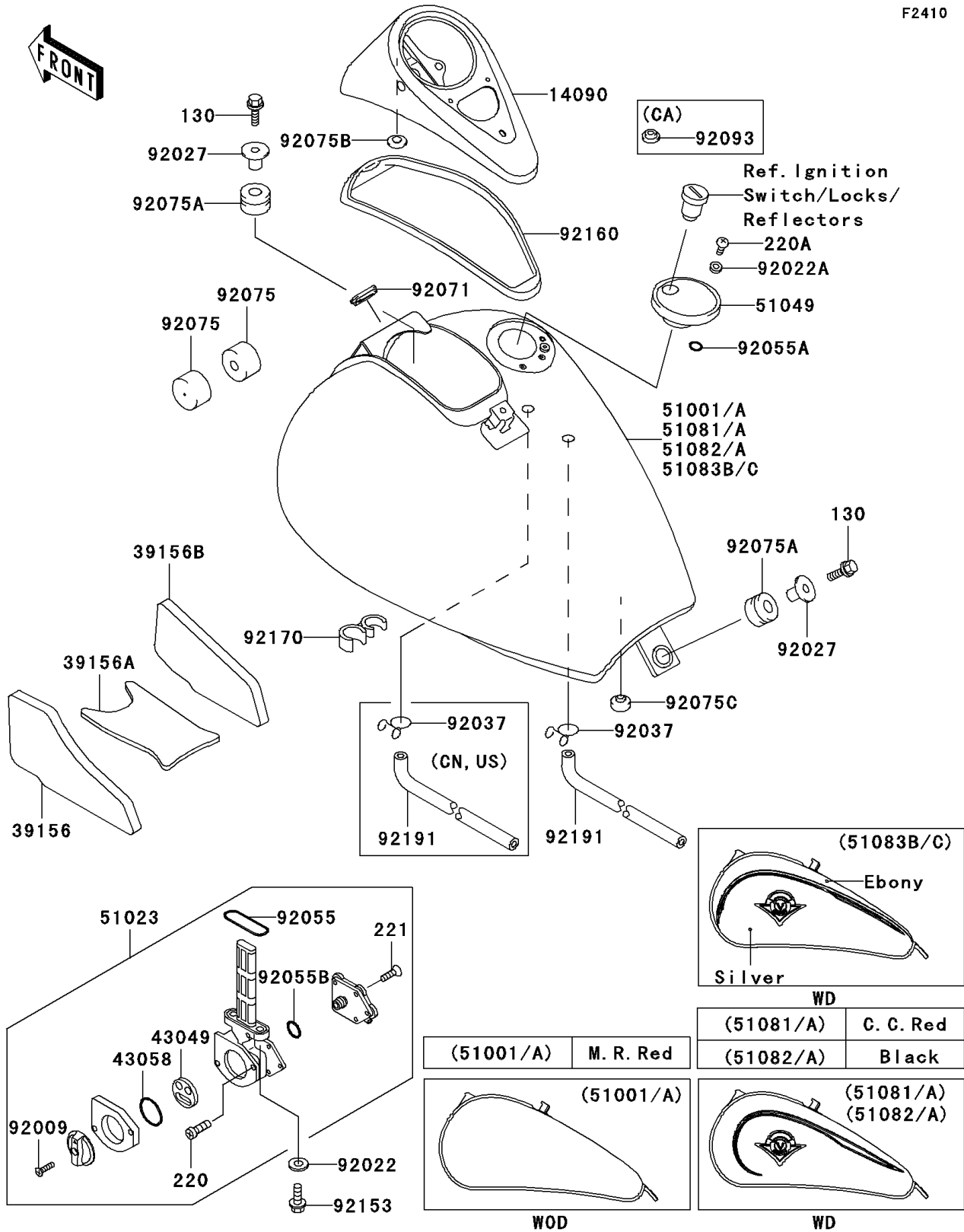


2001 Vulcan 800 Drifter PARTS DIAGRAM

Fuel Tank

F2410



2001 Vulcan 800 Drifter PARTS LIST

Fuel Tank

ITEM NAME	PART NUMBER	QUANTITY
COVER,METER (Ref # 14090)	14090-1560	1
PAD,FUEL TANK,LH (Ref # 39156)	39156-1512	1
PAD,FUEL TANK,CNT (Ref # 39156A)	39156-1513	1
PAD,FUEL TANK,RH (Ref # 39156B)	39156-1629	1
PACKING,TAP VALVE (Ref # 43049)	43049-1075	1
RING,TAP LEVER (Ref # 43058)	43058-1083	1
TAP-ASSY,FUEL (Ref # 51023)	51023-1260	1
CAP-TANK,FUEL (Ref # 51049)	51049-0003	1
SCREW,4X12 (Ref # 92009)	92009-1742	1
WASHER,6.2X11X1.5 (Ref # 92022)	92022-183	2
WASHER,5.1X10X1.0 (Ref # 92022A)	92022-1977	2
COLLAR,L=19.3 (Ref # 92027)	92027-1780	2
RING-O,FUEL TAP PACKING (Ref # 92055)	92055-1112	1
RING-O,ID=9 (Ref # 92055A)	92055-1552	2
RING-O (Ref # 92055B)	92055-1649	1
GROMMET (Ref # 92071)	92071-0013	1
DAMPER,FUEL TANK (Ref # 92075)	92075-125	2
DAMPER (Ref # 92075A)	92075-1736	2
DAMPER,RUBBER (Ref # 92075B)	92075-261	1
BOLT-FLANGED,8X30 (Ref # 130)	130H0830	2
SCREW-PAN-CROS (Ref # 220)	220B0308	2
SCREW-PAN-CROS (Ref # 220A)	220D0510	2
SCREW-CSK-CROS,4X14 (Ref # 221)	221B0414	5
DAMPER (Ref # 92075C)	92075-281	1
BOLT,FLANGED,6X25 (Ref # 92153)	92153-0514	2
DAMPER,METER COVER (Ref # 92160)	92160-1593	1
CLAMP,TUBE (Ref # 92170)	92170-1353	1
TANK-COMP-FUEL,C.C.RED (Ref # 51081)	51081-5393-L1	1
TANK-COMP-FUEL,C.C.RED (Ref # 51081A)	51081-5394-L1	1

2001 Vulcan 800 Drifter PARTS LIST

Fuel Tank

ITEM NAME	PART NUMBER	QUANTITY
CLAMP,TUBE (Ref # 92037)	92037-147	1
CLAMP,TUBE (Ref # 92037)	92037-147	2
SEAL,FUEL TANK CAP (Ref # 92093)	92093-1030	1
TUBE (Ref # 92191)	92191-1015	1
TUBE (Ref # 92191)	92191-1015	2