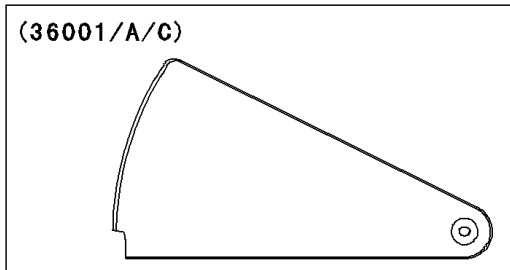
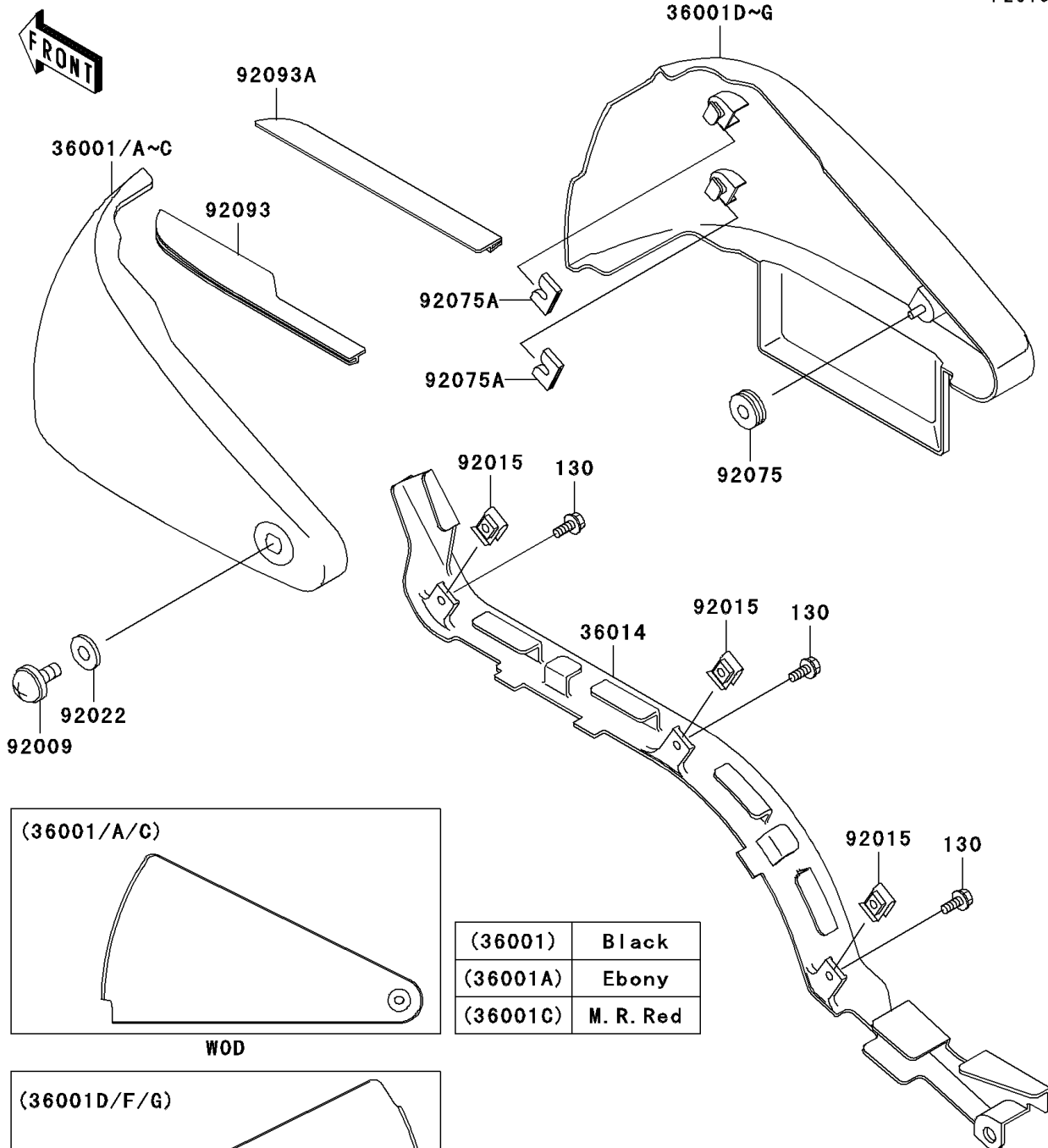


2003 Vulcan 800 Drifter PARTS DIAGRAM

Side Covers/Chain Cover

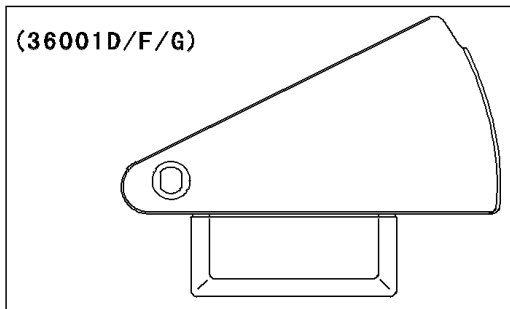
F2610



(36001/A/C)

WOD

(36001)	Black
(36001A)	Ebony
(36001C)	M. R. Red



(36001D/F/G)

WOD

(36001D)	Black
(36001F)	Ebony
(36001G)	M. R. Red

2003 Vulcan 800 Drifter PARTS LIST

Side Covers/Chain Cover

ITEM NAME	PART NUMBER	QUANTITY
BOLT-FLANGED (Ref # 130)	130J0516	3
COVER-SIDE,LH,M.R.RED (Ref # 36001C)	36001-1550-468	1
COVER-SIDE,RH,M.R.RED (Ref # 36001G)	36001-1551-468	1
CASE-CHAIN (Ref # 36014)	36014-1239	1
SCREW,6X18 (Ref # 92009)	92009-1663	1
NUT,5MM (Ref # 92015)	92015-1798	3
WASHER,6.5X16X1 (Ref # 92022)	92022-1143	1
DAMPER (Ref # 92075)	92075-1629	1
DAMPER (Ref # 92075A)	92075-1967	4
SEAL,SIDE COVER,LH (Ref # 92093)	92093-1405	1
SEAL,SIDE COVER,RH (Ref # 92093A)	92093-1406	1