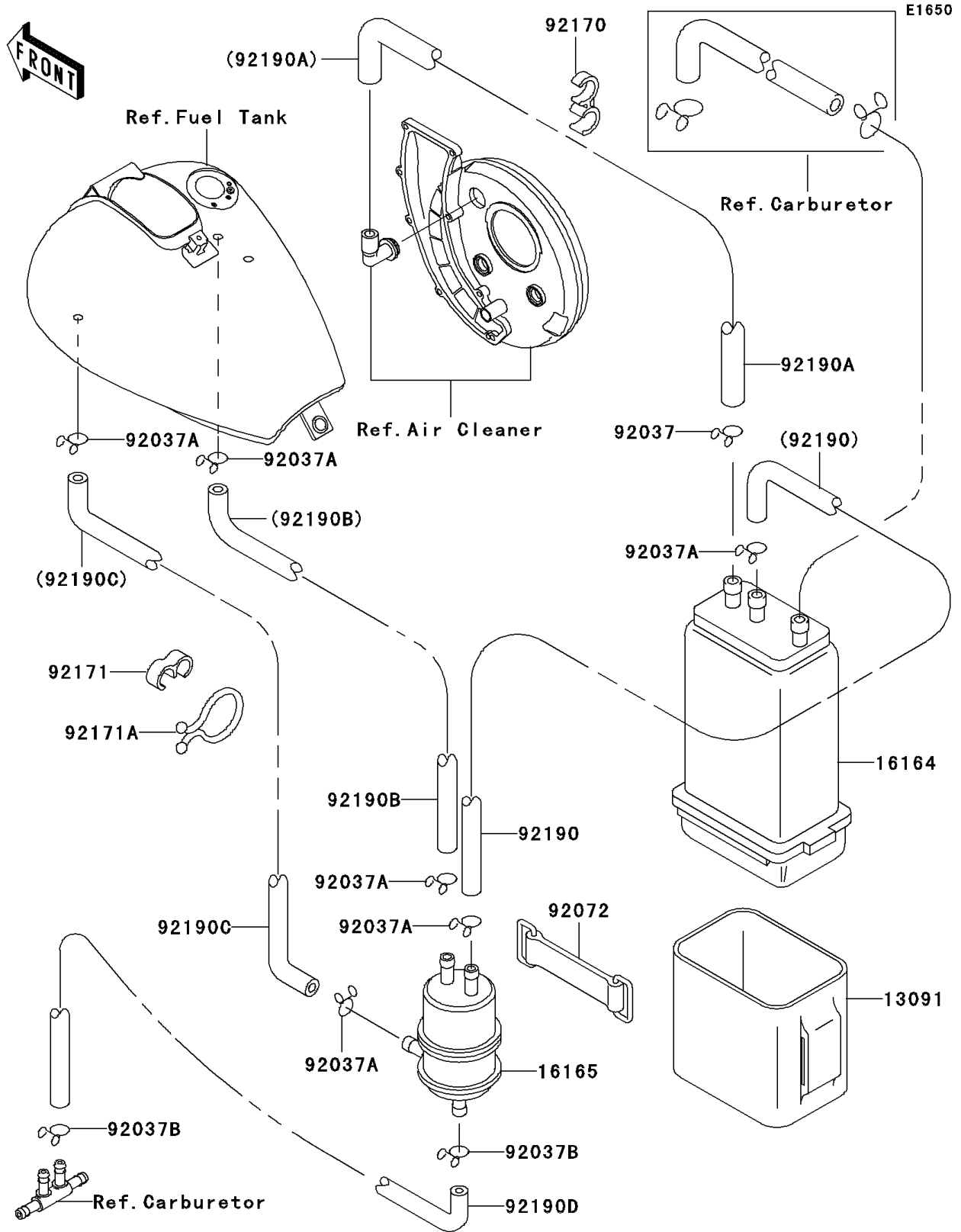


# 2006 Vulcan 800 Drifter PARTS DIAGRAM

Fuel Evaporative System(CA)



## 2006 Vulcan 800 Drifter PARTS LIST

### Fuel Evaporative System(CA)

| ITEM NAME                          | PART NUMBER | QUANTITY |
|------------------------------------|-------------|----------|
| HOLDER,CANISTER (Ref # 13091)      | 13091-1308  | 1        |
| CANISTER (Ref # 16164)             | 16164-1052  | 1        |
| SEPARATOR (Ref # 16165)            | 16165-1001  | 1        |
| CLAMP,HOSE (Ref # 92037)           | 92037-1104  | 1        |
| CLAMP,TUBE (Ref # 92037A)          | 92037-147   | 6        |
| CLAMP (Ref # 92037B)               | 92037-1610  | 2        |
| BAND,L=50 (Ref # 92072)            | 92072-1419  | 1        |
| CLAMP,TUBE (Ref # 92170)           | 92170-1353  | 1        |
| CLAMP (Ref # 92171)                | 92171-1184  | 1        |
| CLAMP (Ref # 92171A)               | 92171-1185  | 1        |
| TUBE,CANISTER-SEPA (Ref # 92190)   | 92190-1618  | 1        |
| TUBE,7X12X540,GREEN (Ref # 92190A) | 92190-1619  | 1        |
| TUBE,SEPA-TANK (Ref # 92190B)      | 92190-1620  | 1        |
| TUBE,SEPA-TANK (Ref # 92190C)      | 92190-1621  | 1        |
| TUBE,SEPA-FITTING (Ref # 92190D)   | 92190-1622  | 1        |