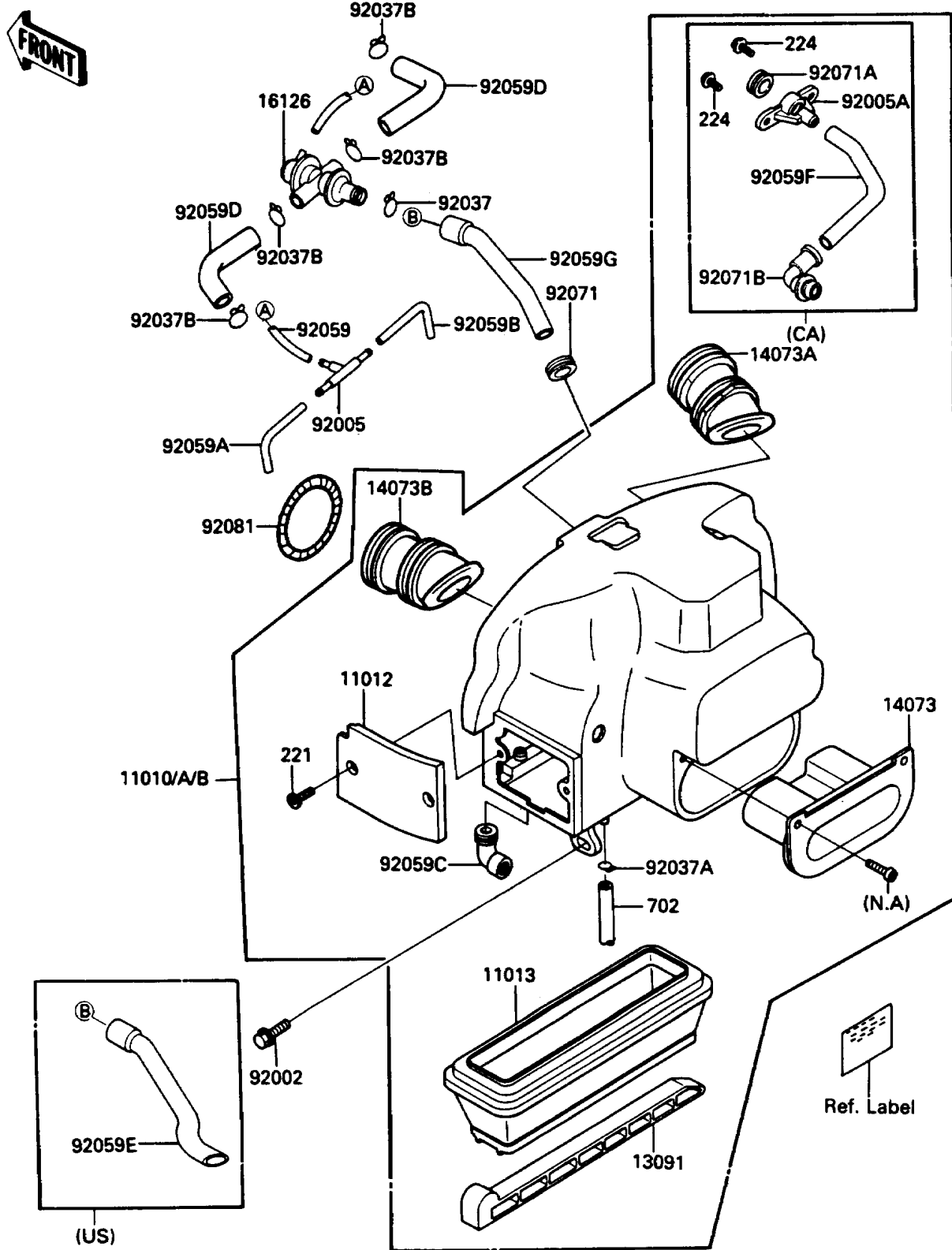


# 1987 Concours PARTS DIAGRAM

Air Cleaner

E1130-0214



# 1987 Concours PARTS LIST

## Air Cleaner

ITEM NAME	PART NUMBER	QUANTITY
FILTER-ASSY-AIR (Ref # 11010)	11010-1254	1
FILTER-ASSY-AIR (Ref # 11010A)	11010-1299	1
FILTER-ASSY-AIR (Ref # 11010B)	11010-1300	1
CAP,AIR FILTER (Ref # 11012)	11012-1373	1
ELEMENT-AIR FILTER (Ref # 11013)	11013-1112	1
HOLDER,ELEMENT (Ref # 13091)	13091-1277	1
DUCT,AIR INTAKE (Ref # 14073)	14073-1179	1
DUCT,#1,#3 (Ref # 14073A)	14073-1224	2
DUCT,#2,#4 (Ref # 14073B)	14073-1225	2
VALVE,AIR SWITCH (Ref # 16126)	16126-1144	1
BOLT,6X16 (Ref # 92002)	92001-1950	2
FITTING,TUBE,T-TYPE (Ref # 92005)	92005-1017	1
FITTING (Ref # 92005A)	92005-1139	1
CLAMP,TUBE (Ref # 92037)	92037-1076	1
CLAMP,TUBE (Ref # 92037A)	92037-1972	1
CLAMP,TUBE (Ref # 92037B)	92037-213	4
TUBE,4X9X190 (Ref # 92059)	92059-1032	1
TUBE,4X9X230 (Ref # 92059A)	92059-1068	1
TUBE,4X9X80 (Ref # 92059B)	92059-1365	1
TUBE,BREATHER (Ref # 92059C)	92059-1391	1
TUBE (Ref # 92059D)	92059-1629	2
TUBE (Ref # 92059E)	92059-1630	1
TUBE (Ref # 92059F)	92059-1640	1
TUBE (Ref # 92059G)	92059-1648	1
GROMMET,AIR FILTER (Ref # 92071)	92071-1028	1
GROMMET,AIR FILTER (Ref # 92071A)	92071-1042	1
GROMMET,AIR FILTER (Ref # 92071B)	92071-1133	1
SPRING,AIR FILTER DUCT (Ref # 92081)	92081-1422	4
SCREW-CSK-CROS (Ref # 221)	221C0616	2

# 1987 Concours PARTS LIST

## Air Cleaner

ITEM NAME	PART NUMBER	QUANTITY
SCREW-PAN-WP-CROS (Ref # 224)	224C0614	2
TUBE-RUBBER (Ref # 702)	702A07480	1