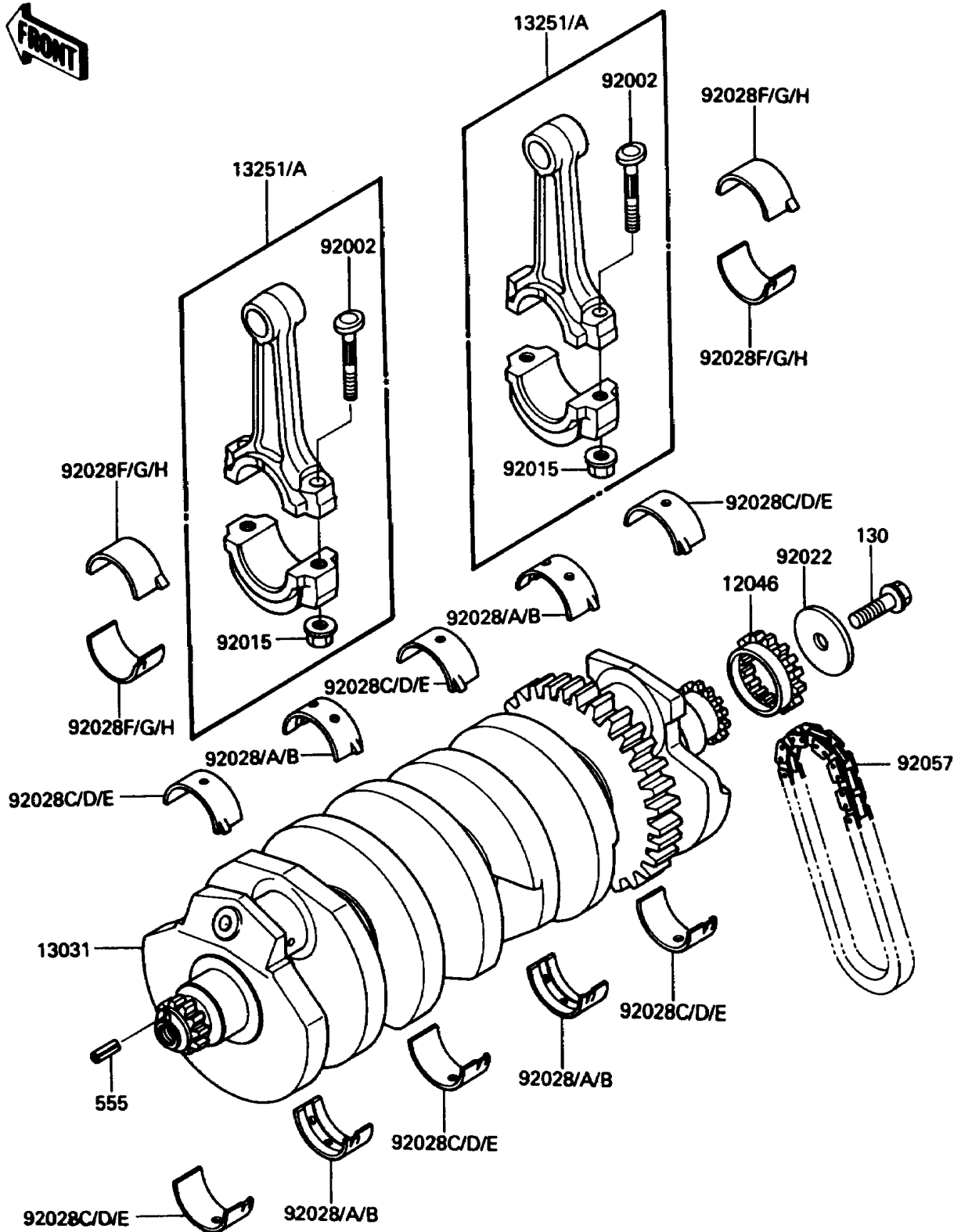


# 1986 Concours PARTS DIAGRAM

Crankshaft

E1321-0076



# 1986 Concours PARTS LIST

Crankshaft

ITEM NAME	PART NUMBER	QUANTITY
-----------	-------------	----------