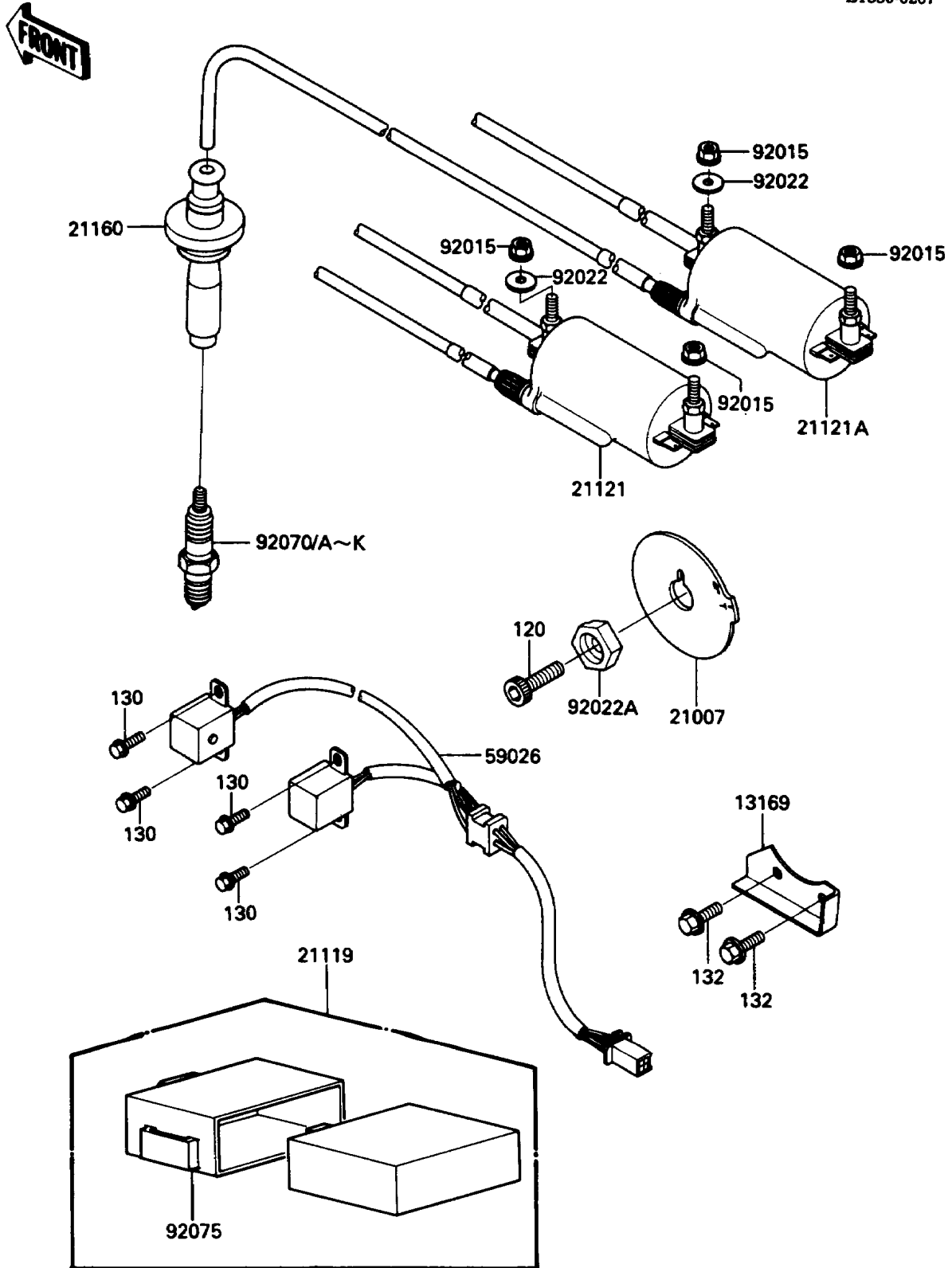


1988 Concours PARTS DIAGRAM

Ignition System

E1830-0207



1988 Concours PARTS LIST

Ignition System

ITEM NAME	PART NUMBER	QUANTITY
PLATE,CHAIN GUIDE (Ref # 13169)	13169-1748	1
ROTOR,PULSING COIL (Ref # 21007)	21007-1109	1
IGNITER (Ref # 21119)	21119-1110	1
COIL-IGNITION,#1 (Ref # 21121)	21121-1110	1
COIL-IGNITION,#2 (Ref # 21121A)	21121-1111	1
CAP-ASSY-PLUG (Ref # 21160)	21160-1065	4
COIL-PULSING (Ref # 59026)	59026-1061	1
NUT,FLANGED,6MM (Ref # 92015)	92015-1193	4
WASHER,7X16X1.2 (Ref # 92022)	92022-024	2
WASHER,ROTOR (Ref # 92022A)	92022-1497	1
PLUG-SPARK,X24ESR-U(ND) (Ref # 92070)		4
PLUG-SPARK,D8EA(NGK) (Ref # 92070A)	92070-1011	4
PLUG-SPARK,X22ES-U(ND) (Ref # 92070B)		4
PLUG-SPARK,D7EA(NGK) (Ref # 92070C)	92070-1013	4
PLUG-SPARK,DR8ES(NGK) (Ref # 92070D)	92070-1019	4
PLUG-SPARK,X24ES-U(ND) (Ref # 92070E)		4
PLUG-SPARK,D9EA(NGK) (Ref # 92070F)	92070-1034	4
PLUG-SPARK,X27ES-U(ND) (Ref # 92070G)		4
PLUG-SPARK,X27ESR-U(ND) (Ref # 92070H)		4
PLUG-SPARK,DR7ES(NGK) (Ref # 92070I)	92070-1113	4
PLUG-SPARK,DR8ES-L(NGK) (Ref # 92070J)	92070-1116	4
PLUG-SPARK,X22ESR-U(ND) (Ref # 92070K)	92070-1117	4
DAMPER,IGNITER (Ref # 92075)	92075-1592	1
WASHER,ROTOR (Ref # 120)	120P0825	1
BOLT-FLANGED (Ref # 130)	130G0512	4
BOLT-FLANGED-SMALL (Ref # 132)	132G0612	2