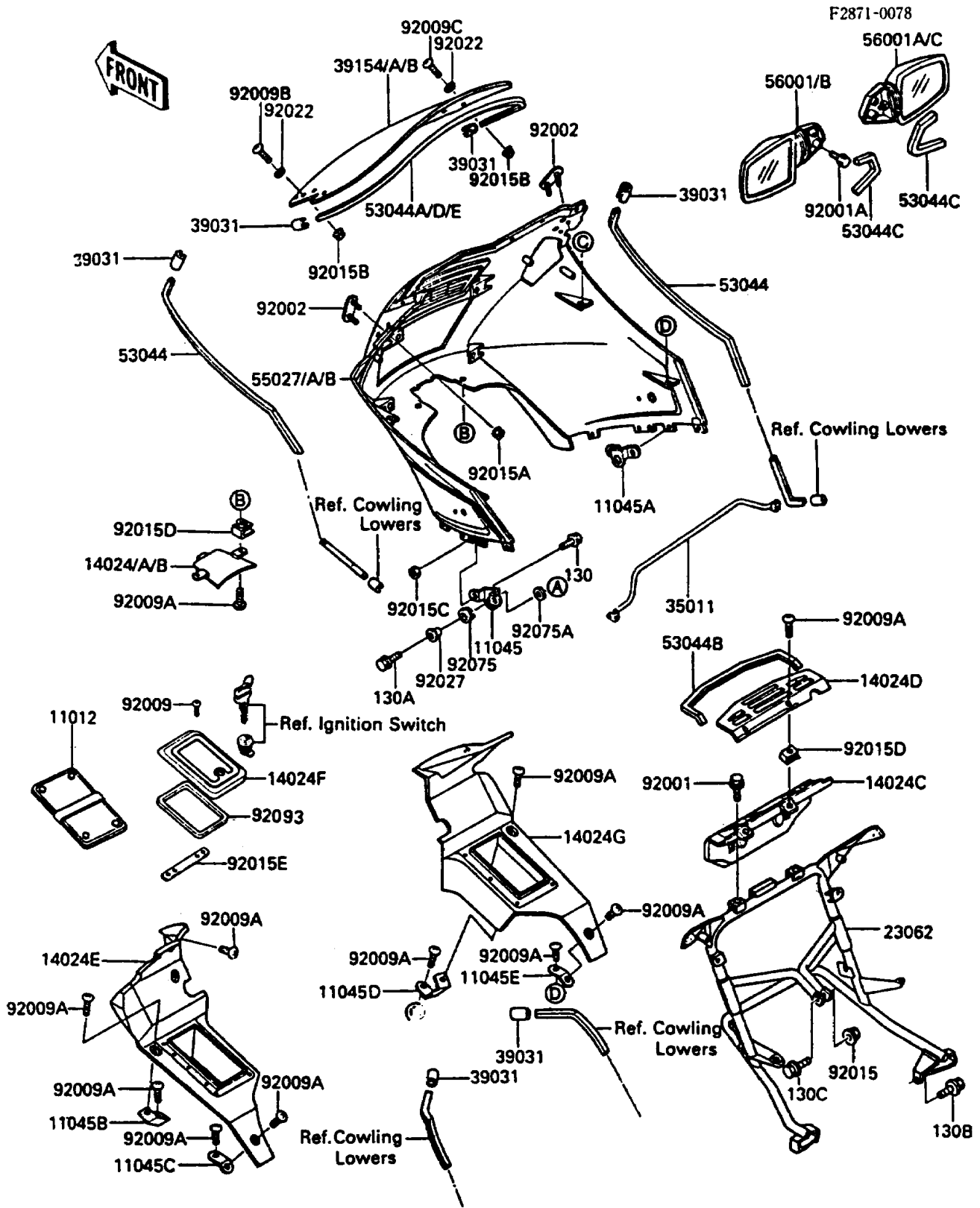


# 1987 Concours PARTS DIAGRAM

Cowling(A2/A3)



# 1987 Concours PARTS LIST

Cowling(A2/A3)

ITEM NAME	PART NUMBER	QUANTITY
CAP,INNER COWLING (Ref # 11012)	11012-1546	1
BRACKET,UPPER COWLING,LWR,LH (Ref # 11045)	11044-1907	1
BRACKET,UPPER COWLING,LWR,RH (Ref # 11045A)	11044-1908	1
BRACKET,INNER COWLING,FR,LH (Ref # 11045B)	11044-1909	1
BRACKET,INNER COWLING,RR (Ref # 11045C)	11044-1910	1
BRACKET,INNER COWLING,FR,RH (Ref # 11045D)	11044-1922	1
BRACKET,INNER COWLING,RR (Ref # 11045E)	11045-1612	1
COVER,UPPER COWLING,LWR,RED (Ref # 14024A)	14024-1252-H3	1
COVER,UPPER COWLING,LWR,GRAY (Ref # 14024B)	14024-1252-T8	1
COVER,HORN,RR (Ref # 14024C)	14024-1255	1
COVER,INNER COWLING,CNT (Ref # 14024D)	14024-1256	1
COVER,INNER COWLING,UPP,LH (Ref # 14024E)	14024-1422	1
COVER,INNER COWLING COVER,RH (Ref # 14024F)	14024-1472	1
COVER,INNER COWLING,UPP,RH (Ref # 14024G)	14024-1473	1
BRACKET-COMP,UPPER COWLING (Ref # 23062)	23062-1068	1
STAY,SIDE COWLING (Ref # 35011)	35011-1340	1
CAP-END,TRIM (Ref # 39031)	39031-1055	6
WINDSHIELD,SHORT TYPE (Ref # 39154)	39154-1070	1
WINDSHIELD,LONG TYPE (Ref # 39154A)	39154-1071	1
WINDSHIELD,SUPER LONG TYPE (Ref # 39154B)	39154-1075	1
TRIM,COWLING (Ref # 53044)	53044-1157	2
TRIM,WINDSHIELD,SHORT TYPE (Ref # 53044A)	53044-1164	1
TRIM,INNER COWLING (Ref # 53044B)	53044-1172	1
TRIM,MIRROR (Ref # 53044C)	53044-1173	2
TRIM,WINDSHIELD,LONG TYPE (Ref # 53044D)	53044-1192	1
TRIM,WINDSHIELD,SUPER LONG TYP (Ref # 53044E)	53044-1196	1
COWLING-ASSY,UPP,OUTER,C.W.RED (Ref # 55027)	55027-1083-H3	1
COWLING-ASSY,UPP,OUTER,GRAY (Ref # 55027A)	55027-1083-T8	1
MIRROR-ASSY,LH (Ref # 56001)	56001-1311	1

# 1987 Concours PARTS LIST

Cowling(A2/A3)

ITEM NAME	PART NUMBER	QUANTITY
MIRROR-ASSY,RH (Ref # 56001A)	56001-1312	1
BOLT (Ref # 92001)	92001-1825	2
BOLT,6X14,BLACK (Ref # 92001A)	92001-1847	4
BOLT,"U" (Ref # 92002)	92002-1800	2
SCREW,4X16 (Ref # 92009)	92009-1108	2
SCREW,6X14,BLACK (Ref # 92009A)	92009-1308	14
SCREW,5X14,BLACK (Ref # 92009B)	92009-1383	8
SCREW,5X20,BLACK (Ref # 92009C)	92009-1453	2
NUT,FLANGED,8MM,BLACK (Ref # 92015)	92015-1183	1
NUT,FLANGED,6MM,BLACK (Ref # 92015A)	92015-1237	4
NUT,5MM,COWLING (Ref # 92015B)	92015-1343	10
NUT,STAY,6MM (Ref # 92015C)	92015-1394	4
NUT,6MM (Ref # 92015D)	92015-1602	4
NUT,PLATE,4MM (Ref # 92015E)	92015-1661	1
WASHER,NYLON,5.3X11.5X1.5 (Ref # 92022)	92022-1521	10
COLLAR,L=13.1,BLACK (Ref # 92027)	92027-1450	2
DAMPER,MALE (Ref # 92075)	92075-174	2
DAMPER,FEMALE (Ref # 92075A)	92075-175	2
SEAL,FAIRING POCKET (Ref # 92093)	92093-1239	1
BOLT-FLANGED,6X10,BLACK (Ref # 130)	130C0610	4
BOLT-FLANGED (Ref # 130A)	130C0625	2
BOLT-FLANGED (Ref # 130B)	130J0812	2
BOLT-FLANGED,8X30 (Ref # 130C)	130J0830	1