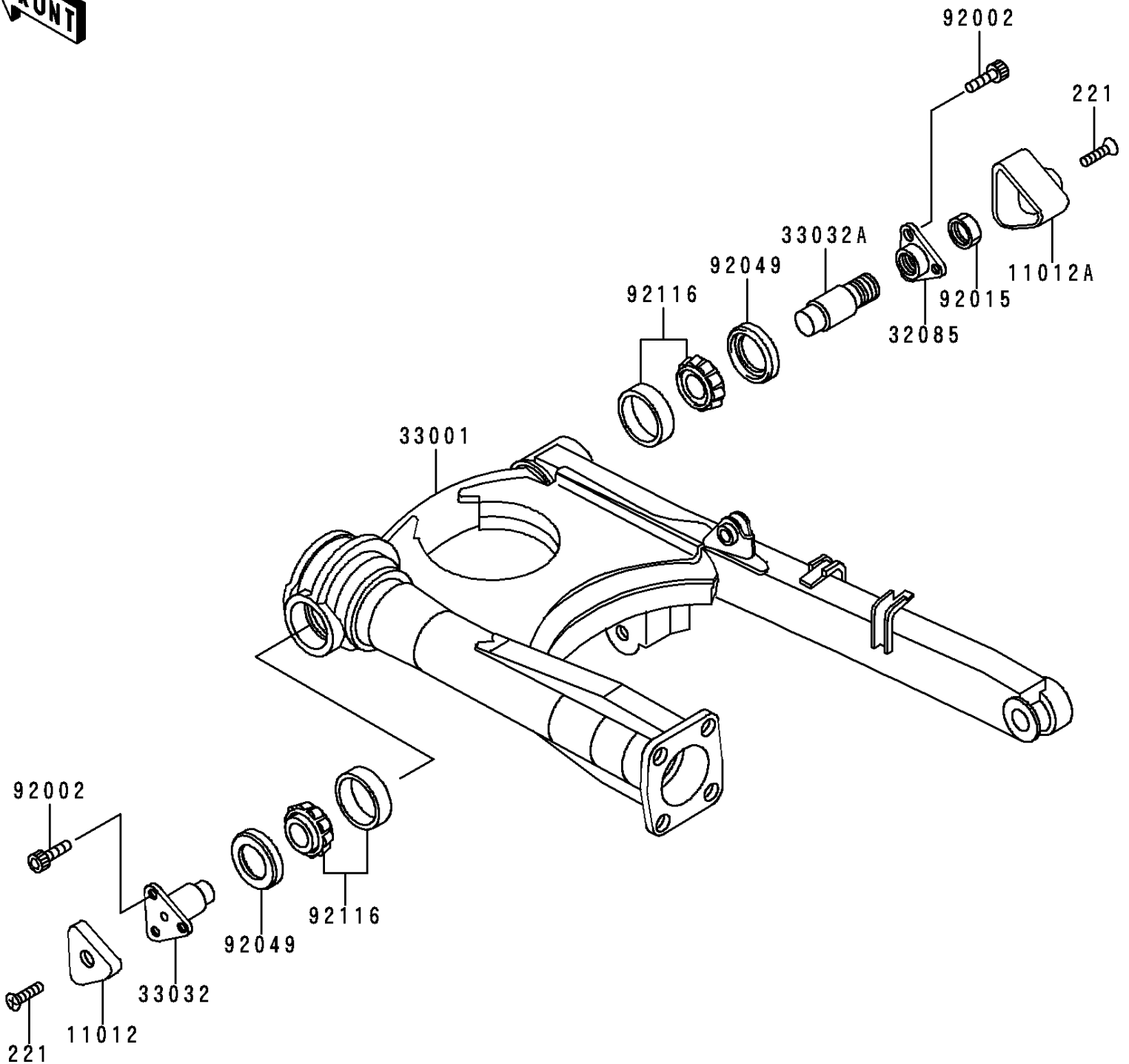


# 1999 Concours PARTS DIAGRAM

Swingarm

F2141



# 1999 Concours PARTS LIST

Swingarm

ITEM NAME	PART NUMBER	QUANTITY
-----------	-------------	----------