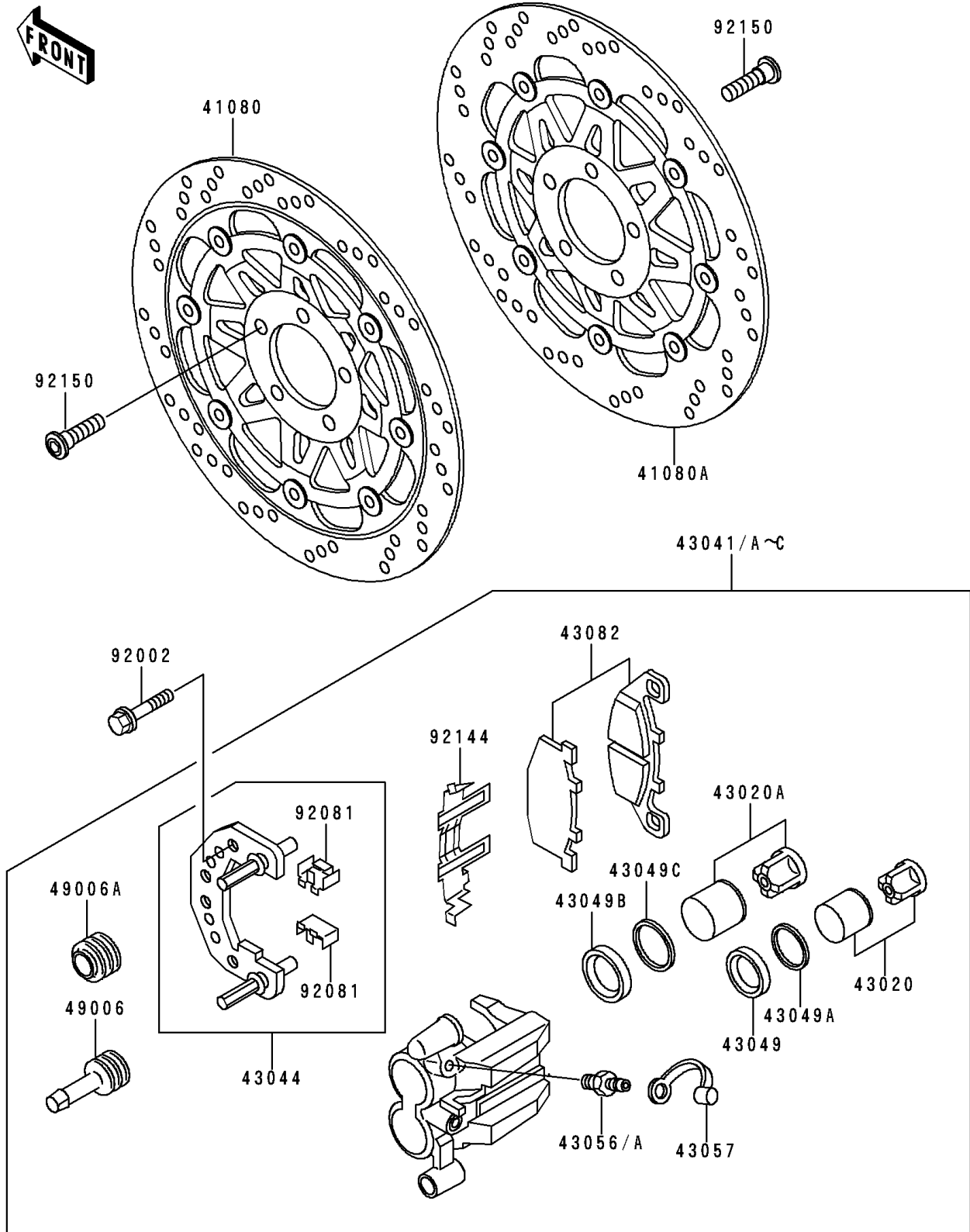


# 1997 Concours PARTS DIAGRAM

Front Brake

F2292



# 1997 Concours PARTS LIST

## Front Brake

ITEM NAME	PART NUMBER	QUANTITY
DISC,FR,LH,SILVER NO.1 (Ref # 41080)	41080-1296-CM	1
DISC,FR,RH,SILVER NO.1 (Ref # 41080A)	41080-1297-CM	1
PISTON-COMP-BRAKE (Ref # 43020)	43020-1068	2
PISTON-COMP-BRAKE (Ref # 43020A)	43020-1069	2
HOLDER-COMP-CALIPER (Ref # 43044)	43044-1067	2
PACKING,PISTON SEAL (Ref # 43049)	43049-1054	2
PACKING,PISTON (Ref # 43049A)	43049-1055	2
PACKING,PISTON SEAL (Ref # 43049B)	43049-1056	2
PACKING,PISTON (Ref # 43049C)	43049-1057	2
BREATHER (Ref # 43056)	43056-003	1
BREATHER-BRAKE (Ref # 43056A)	43056-1054	1
CAP-BREATHER (Ref # 43057)	43057-003	2
PAD-ASSY-BRAKE (Ref # 43082)	43082-1123	2
BOOT,CALIPER (Ref # 49006)	49006-1094	2
BOOT,CALIPER (Ref # 49006A)	49006-1095	2
BOLT,FLANGED,10X35 (Ref # 92002)	92002-1829	4
SPRING,PAD STOPPER (Ref # 92081)	92081-1661	4
SPRING,PAD (Ref # 92144)	92144-1070	2
BOLT,SOCKET,8X30 (Ref # 92150)	92150-1771	10
CALIPER-ASSY,FR,LH,M.F.GRAY (Ref # 43041)	43041-1407-FE	1
CALIPER-ASSY,FR,LH,SILVER (Ref # 43041A)	43041-1407-GN	1
CALIPER-ASSY,FR,RH,M.F.GRAY (Ref # 43041B)	43041-1436-FE	1
CALIPER-ASSY,FR,RH,SILVER (Ref # 43041C)	43041-1436-GN	1