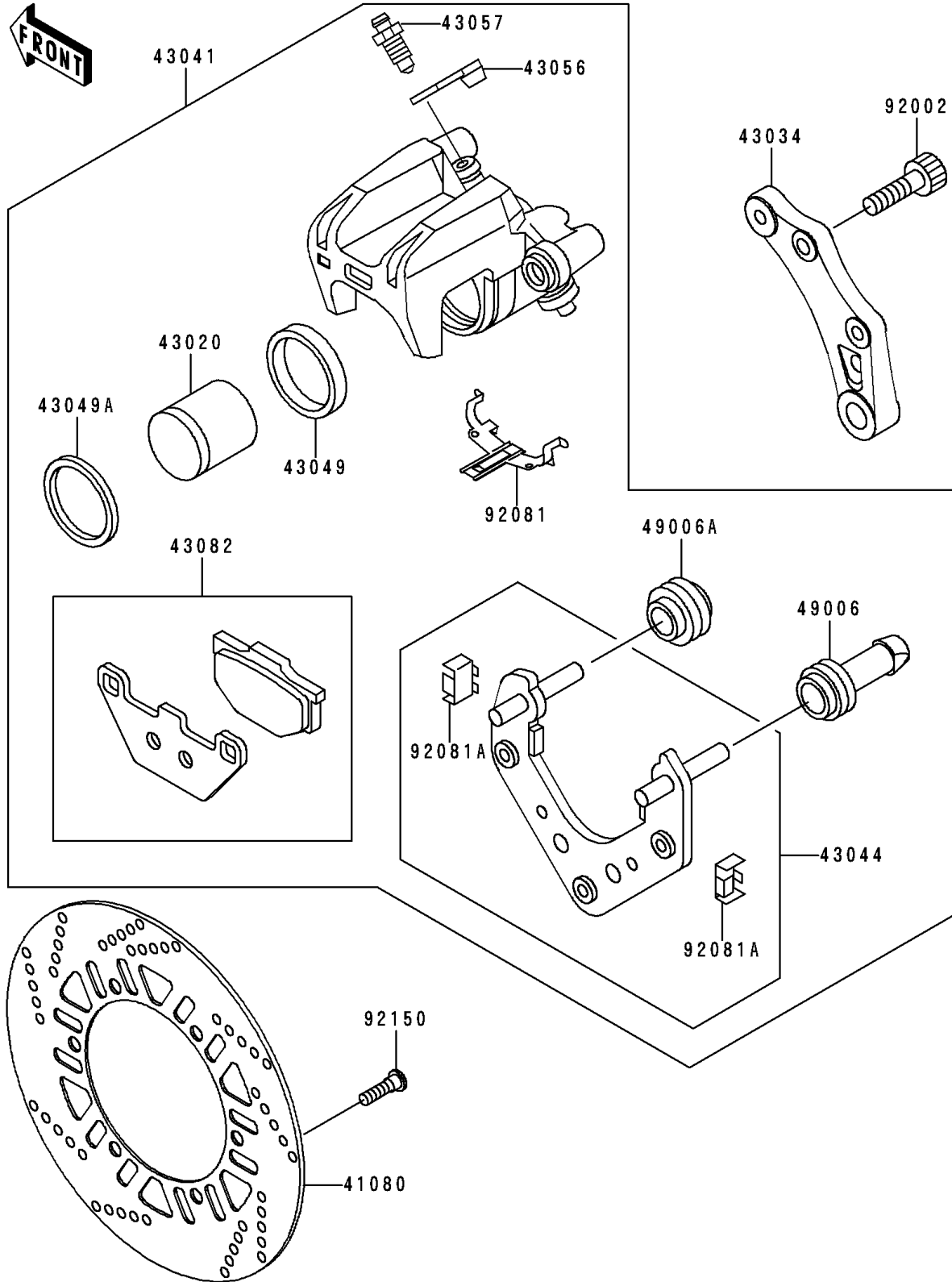


1998 Concours PARTS DIAGRAM

Rear Brake

F 2284



1998 Concours PARTS LIST

Rear Brake

| ITEM NAME | PART NUMBER | QUANTITY |
|---|-------------|----------|
| DISC,RR (Ref # 41080) | 41080-1170 | 1 |
| PISTON-COMP-BRAKE (Ref # 43020) | 43020-1066 | 1 |
| HOLDER-BRAKE,RR CALIPER (Ref # 43034) | 43034-1069 | 1 |
| CALIPER-ASSY,RR (Ref # 43041) | 43041-1318 | 1 |
| HOLDER-COMP-CALIPER,FR,RH (Ref # 43044) | 43044-1036 | 1 |
| RING,PISTON SEAL (Ref # 43049) | 43049-002 | 1 |
| PACKING,PISTON (Ref # 43049A) | 43049-1028 | 1 |
| BREATHER-BRAKE (Ref # 43056) | 43056-1054 | 1 |
| CAP-BREATHER (Ref # 43057) | 43057-003 | 1 |
| PAD-ASSY-BRAKE (Ref # 43082) | 43082-1062 | 1 |
| BOOT,CALIPER (Ref # 49006) | 49006-1094 | 1 |
| BOOT,CALIPER (Ref # 49006A) | 49006-1095 | 1 |
| BOLT,SOCKET,10X17 (Ref # 92002) | 92002-1713 | 2 |
| SPRING,PAD (Ref # 92081) | 92081-1525 | 1 |
| SPRING,PAD STOPPER (Ref # 92081A) | 92081-1661 | 2 |
| BOLT,SOCKET,8X30 (Ref # 92150) | 92150-1771 | 6 |